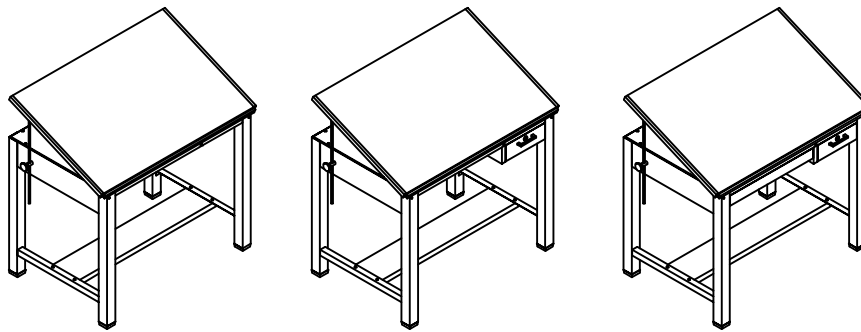


ASSEMBLY INSTRUCTIONS

RANGER STEEL FOUR-POST TABLES



NOTE: Please count and inspect all pieces before disposing of any carton or packing materials.


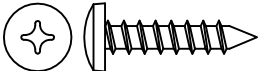




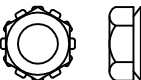





When ordering components, specific color and/or size information may be required. Contact a Mayline Customer Service Representative. 1-800-822-8037

COMPONENTS: TABLE

REF. #	QTY.	DESCRIPTION	PART No.
1	1	R.H. END ASSEMBLY	CALL~**
2	1	L.H. END ASSEMBLY	CALL~**
3	1	FRONT RAIL	CALL~**
4	1	REAR RAIL	CALL~**
5	1	FOOT RAIL	CALL~**
6	1	DUST COVER	CALL~
7	2	TILT ROD ASSEMBLY	A315

HARDWARE BAG: TABLE w/o DRAWER - PART No. A7680

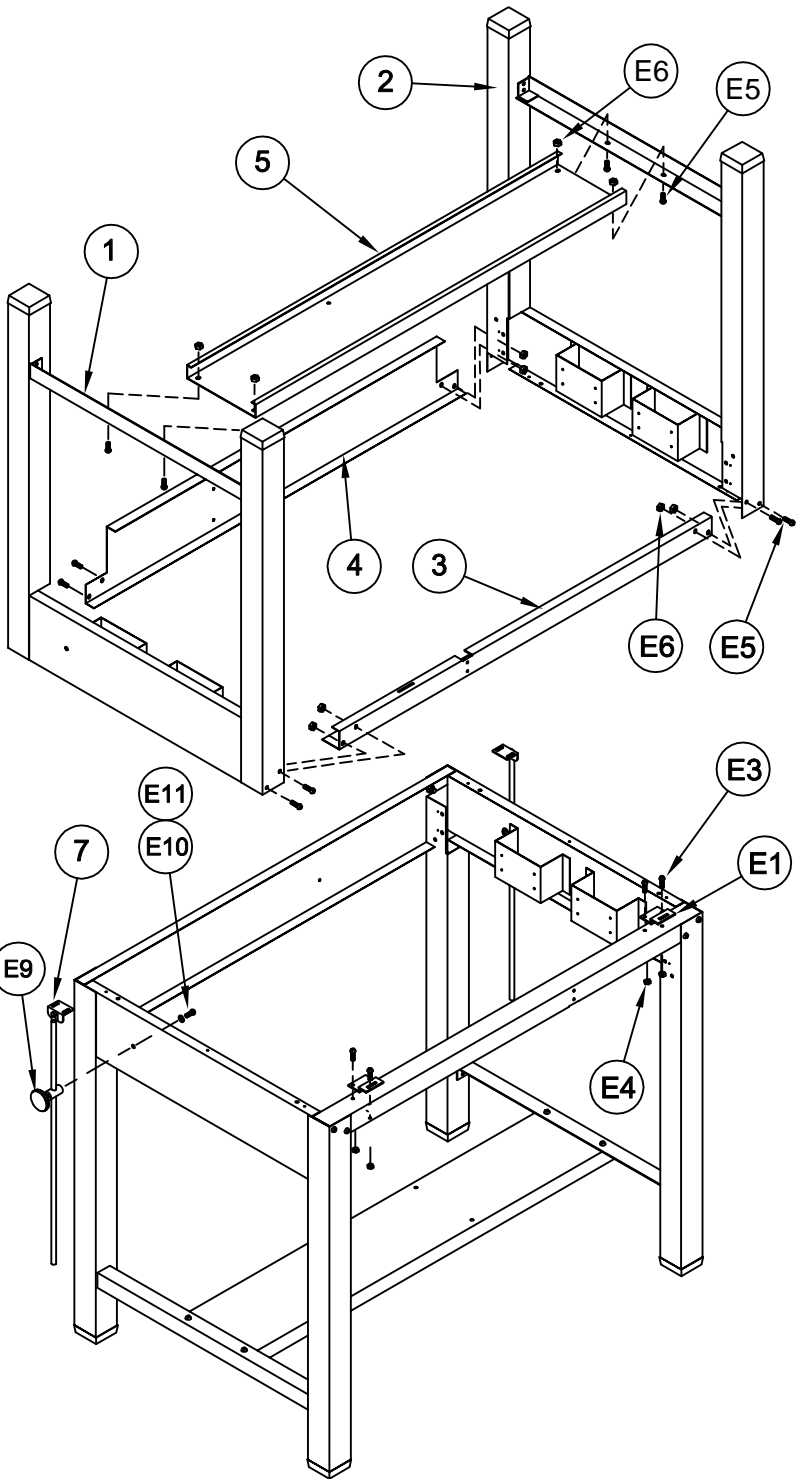
*for individual item, order that part number

REF. #	QTY.	DESCRIPTION	PART No.	REF. #	QTY.	DESCRIPTION	PART No.
E1	2	LOWER HINGE	B195* 	E8	10	10 x 3/4 SCREW	X11* 
E2	2	UPPER HINGE	B194* 	E9	2	KNOB	K13* 
E3	4	10-24 x 3/8 MACHINE SCREW	X147* 	E10	2	WASHER	W30* 
E4	4	10-24 KEPS NUT	T2* 	E11	2	5/16-18 X 1/2 RD. HD. MACHINE SCREW	X157* 
E5	12	1/4-28 x 3/8 MACHINE SCREW	X156* 	E12	2	TILT ROD GUIDE	B160* 
E6	12	1/4-28 KEPS NUT	T25* 				
E7	11	8 x 5/8 SCREW	X140A* 				

OPTIONAL COMPONENTS AND HARDWARE are listed on the last page of this sheet.

MAYLINE®

619 N. Commerce, P.O. Box 728, Sheboygan, WI 53082-0728
www.mayline.com 800-822-8037 Fax 920-457-7388



1. Place the two End Assemblies (1 & 2) upside down. Position the Front Rail (3) with the larger of the two flanges toward the floor. Position the Rear Rail (4) with the Dust Cover attachment holes toward the floor. Secure these Rails to the End Assemblies with two Screws (E5) and two Nuts (E6) per leg. DO NOT tighten screws at this time.

2. Position the Foot Rail (5) with flat surface toward the floor. Attach the Foot Rail to the End Assemblies with four Screws (E5) and Nuts (E6). TIGHTEN all screws from steps 1 & 2 now.

3. Turn assembled table to an upright position. MAYLINE recommends that two people perform this task.

4. Fasten one Tilt Rod Guide (E12) to each side of the table using one Bolt (E11) and one Washer (E10) per guide. DO NOT tighten completely.

5. Insert Tilt Rod Assembly (7) through hole in Guide and tighten in place with Plastic Knob (E9).

6. Position the Lower Hinge (E1) with the slot hanging beyond the front of the table. Align the holes and attach with Screws (E3) and Hex Nuts (E4). Tighten these screws.

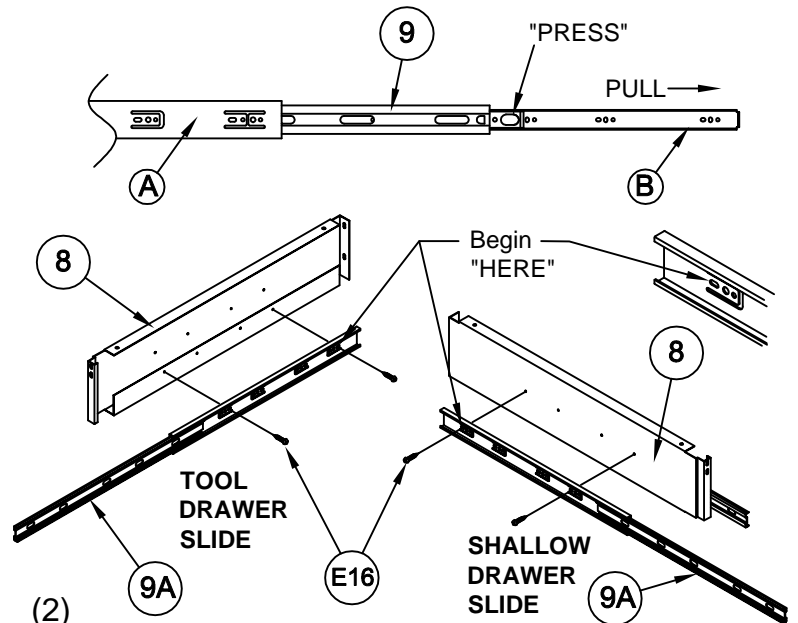
NOTE: If your product is not equipped with the *OPTIONAL Drawers* proceed to the final page of this Instruction Sheet for Top Installation.

ASSEMBLY INSTRUCTIONS: OPTIONAL DRAWERS

1. Separate the Drawer Slides (9) into two pieces. Extend the Slide to the full extension. Remove the smaller portion (9B) by pressing the plastic release and pulling.

2. Attach the large Slide portion (9A) to the Center Support (8) using two Screws (E16). Begin attaching the Slide using the large 'Horizontal' slot in the last mounting tab.

NOTE: If you are installing the Optional Shallow Drawer, repeat step #2 on the opposite side of the Center Support.



3. Attach one large Slide portion (9A) to the brackets on the R.H. side of the table using two Screws (E16). Begin attaching the Slide using the large 'Horizontal' slot in the last mounting tab using the lower set of holes for Tool Drawer installation.

NOTE: If you are installing the Optional Shallow Drawer, repeat this procedure on the L.H. side of the Table using the upper set of holes.

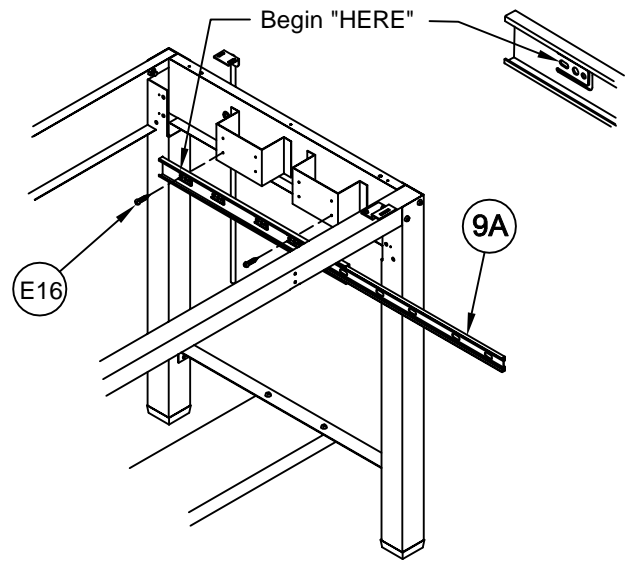
4. Attach the smaller Slide portion (9B) to each side of the Drawer body using three Screws (E17) and three Acorn Nuts (E18). Begin attaching the Slide using the 'Vertical' slot in the first hole cluster.

NOTE: If you are installing the Optional Shallow Drawer, repeat Step 4, beginning at the same vertical slot in Slide portion 9B as on the tool drawer assembly.

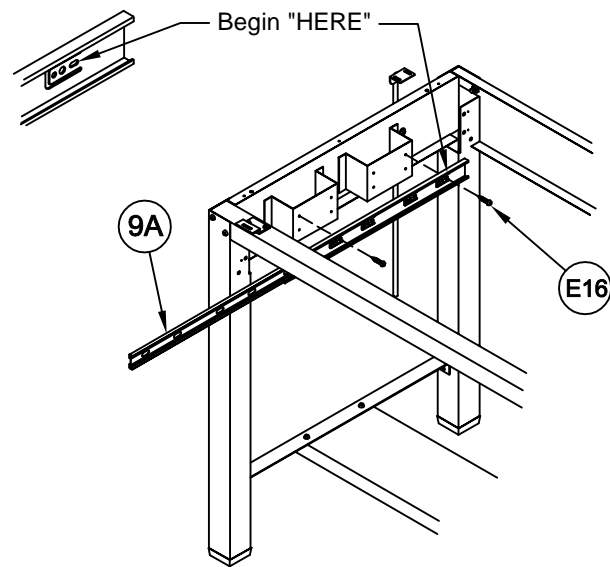
5. Install the Drawer Pull (E15) onto the Tool Drawer head using Screws (E13).

6. Install the assembled Center Support into the Base. Attach the Support with two Screws (E13) and two Nuts (E14) per rail.

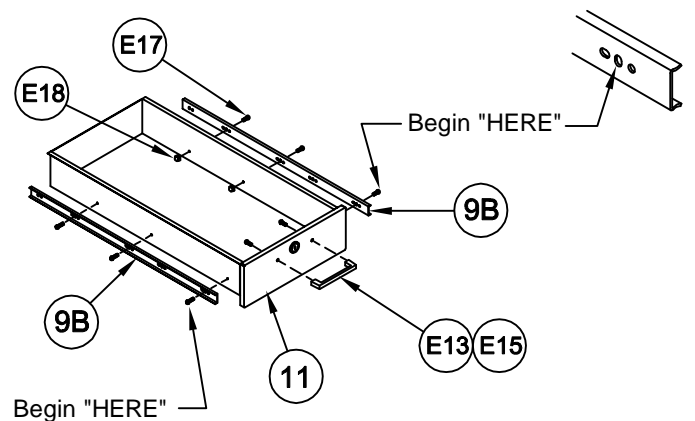
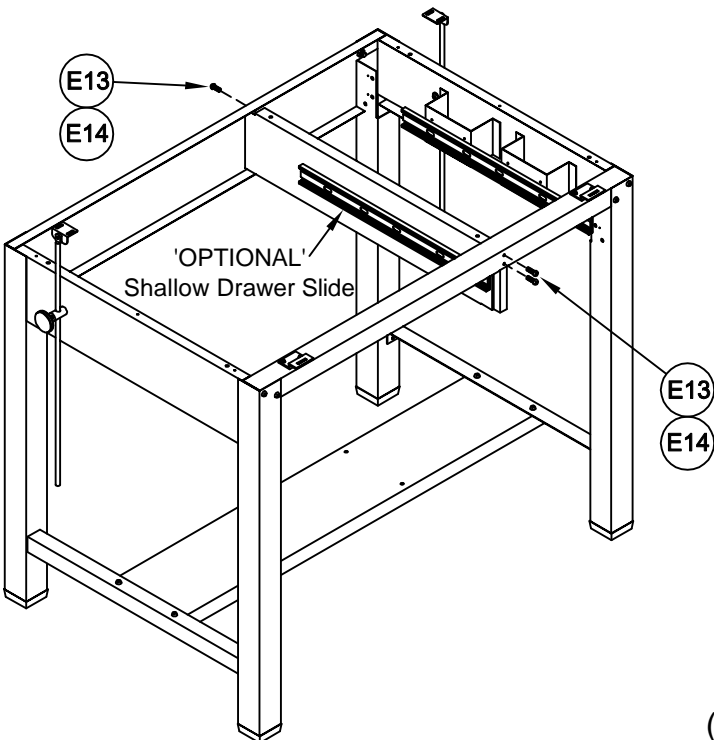
7. Install the drawer/s into the assembled table.



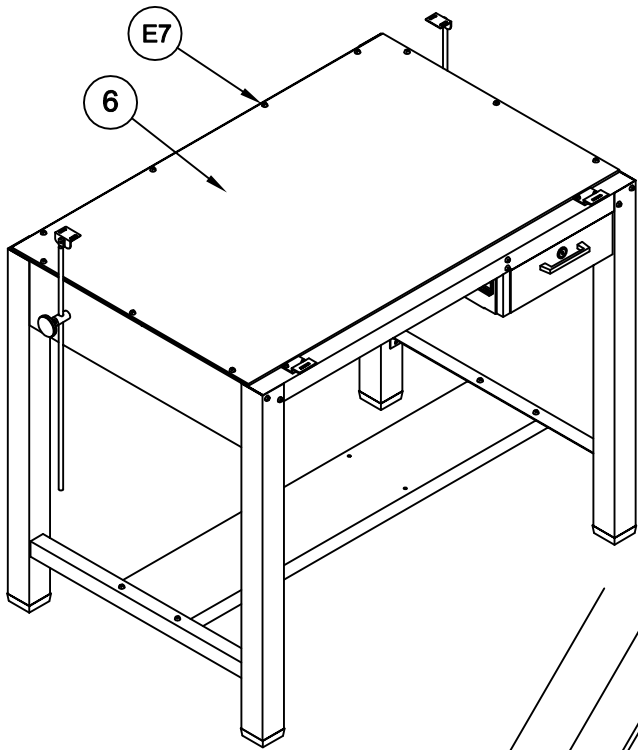
R.H. Side - Tool Drawer



L.H. Side - Shallow Drawer



TOP INSTALLATION:

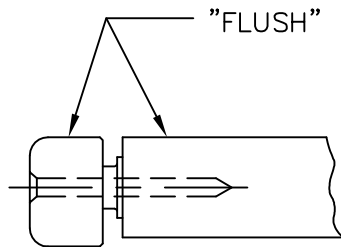
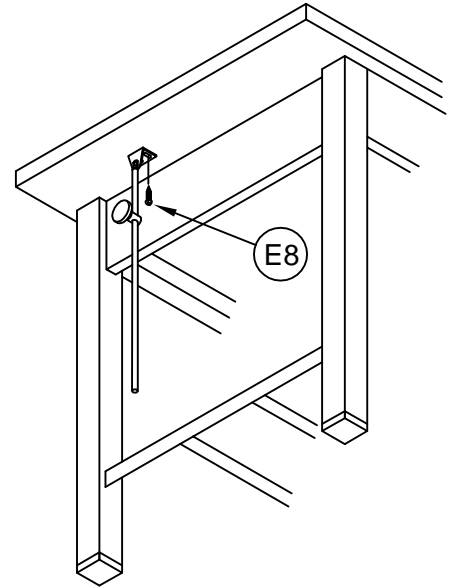
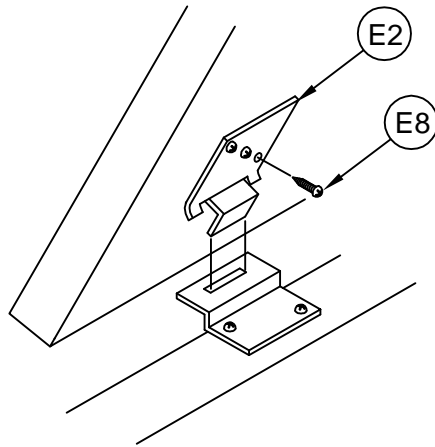


1. Lay the Dust Cover (6) onto the table. Align the holes in the Dust Cover with the holes in the Rails and attach with Screws (E7).

2. Align the holes in the Upper Hinge (E2) with the holes in the underside of the Top. Attach the Hinge using three Screws (E8) per Hinge.

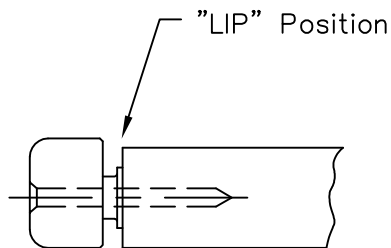
3. Hold the Top in a vertical position and insert the ears of the Upper Hinge (E2) into the slots of the Lower Hinge (E1). Lower the Top.

4. Attach the Tilt Rods (7) to the Top using two Screws (E8) per Tilt Rod.



5. Paper apron is shipped in the "flush" position from the factory. Apron may be reversed to provide a "LIP".

6. To change apron position, remove and retain 4 screws and spacers that attach apron to top.



7. Flip apron 180° and align holes in apron with holes in edge of top. Reattach the apron using the 4 screws and spacers.

OPTIONAL COMPONENTS:

The following components are in addition to the TABLE components.

TOOL DRAWER ACCESSORY:

<u>REF. #</u>	<u>QTY.</u>	<u>DESCRIPTION</u>	<u>PART No.</u>
8	1	CENTER SUPPORT	B7469**
9	2	DRAWER SLIDE	B6361**
10	1	TOOL TRAY	F187
11	1	TOOL DRAWER	A7553**

SHALLOW DRAWER ACCESSORY:

12	2	DRAWER SLIDE	B6361**
13	1	SHALLOW DRAWER	CALL~~**

*** Denotes Color Code*

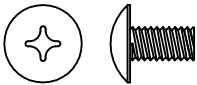
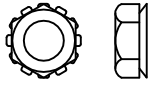
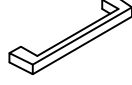


~~Denotes Size

OPTIONAL COMPONENTS HARDWARE:

The following hardware is in addition to the Table Hardware .

HARDWARE BAG: TABLE with DRAWERS - PART No. A7681

TOOL and SHALLOW DRAWER ACCESSORIES:

<u>REF. #</u>	<u>QTY.</u>	<u>DESCRIPTION</u>	<u>PART No.</u>	
E13	6	#10-24 x 3/8 SCREW	X147*	
E14	4	#10-24 KEPS NUT	T2*	
E15	1	DRAWER HANDLE	Q35*	
E16	8	#8-32 x 3/8 THRD. CUTTING SCREW	X247*	
E17	12	#8-32 x 5/16 MACHINE SCREW	X384*	
E18	12	#8-32 ACORN NUT	T129*	