

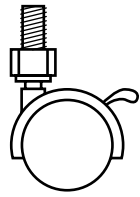


Wire Bin Roll File Assembly Instructions

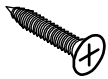
For model
WRF55

Tools Required: Wrench (included), Phillips head screwdriver (not included)

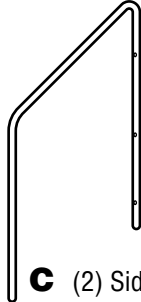
Parts Included:



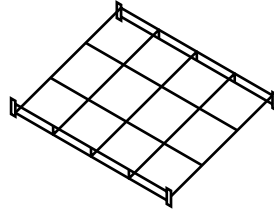
A (4)
Locking
Casters



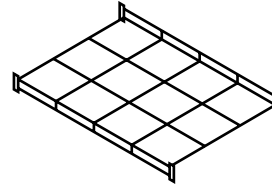
B (12)
Screws



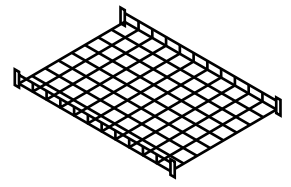
C (2) Side
Braces



D (1) Top
Grid Tray



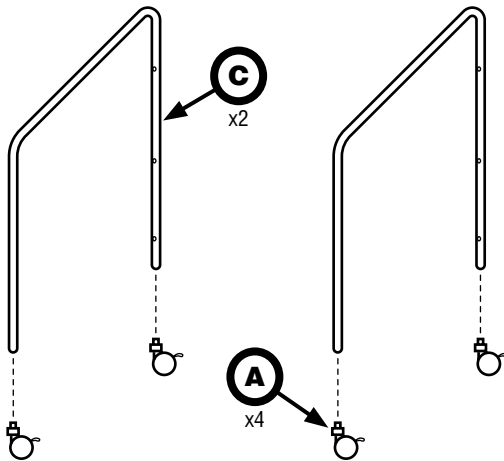
E (1) Middle
Grid Tray



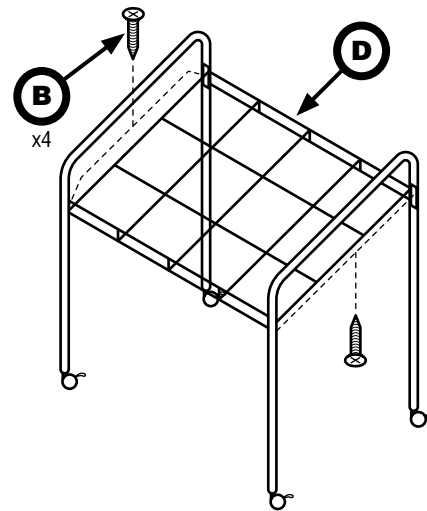
F (1) Bottom
Grid Tray

To Assemble:

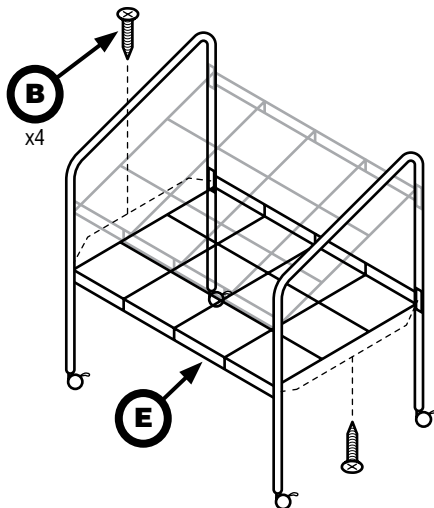
- 1** Attach four locking casters (**A**) to two side braces (**C**) using wrench.



- 2** Secure top grid tray (**D**) to top set of holes in two side braces using four screws (**B**).



- 3** Secure middle grid tray (**E**) to middle set of holes in two side braces using four screws.



- 4** Secure bottom grid tray (**F**) to bottom set of holes in two side braces using four screws.

