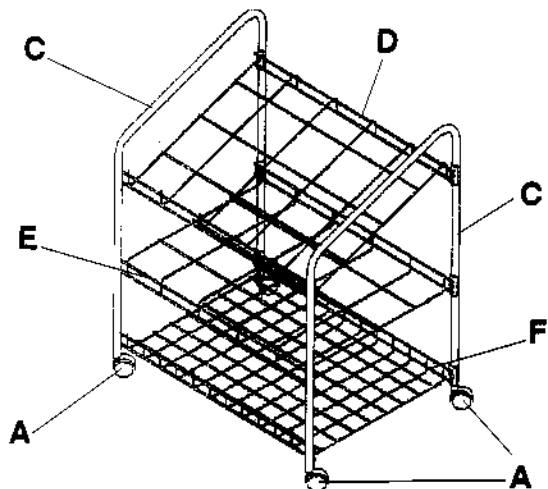


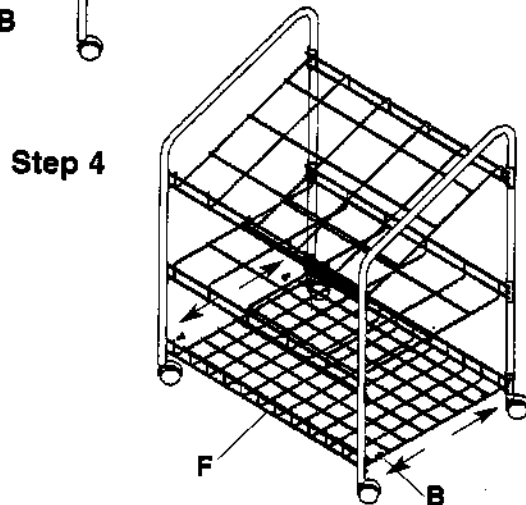
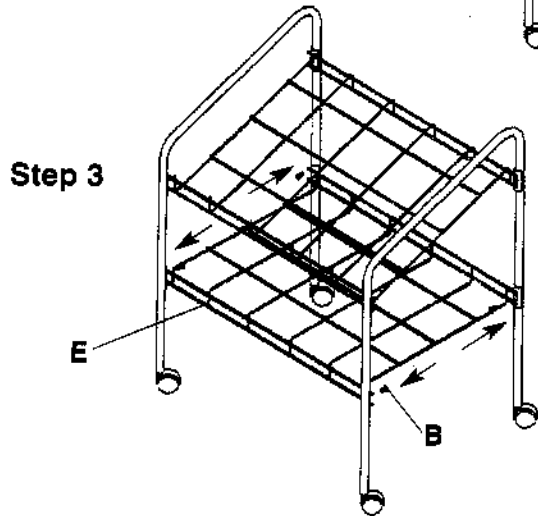
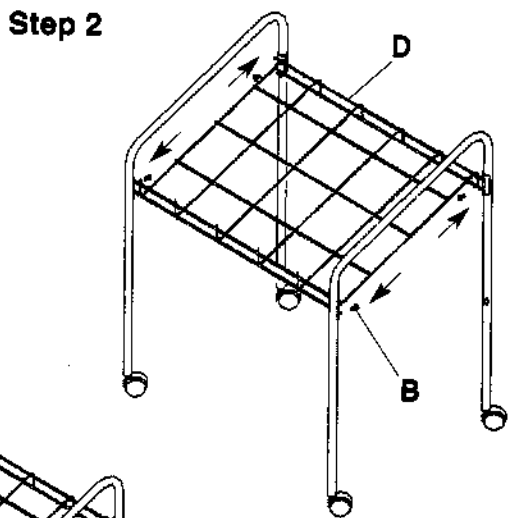
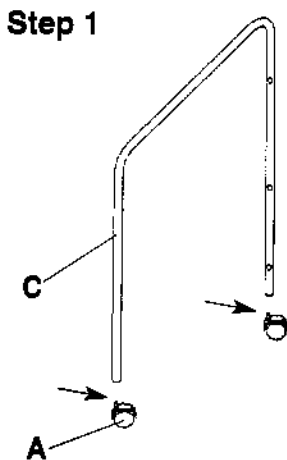
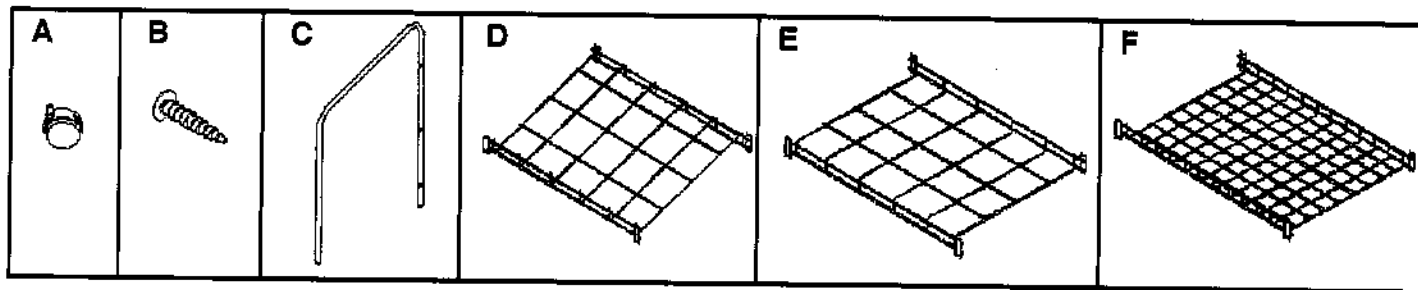


Assembly Instructions for Wire Bin Roll File No. WRF40



CONTENTS		
Key	Qty.	Description
A	4	Casters
B	12	Screws
C	2	Side braces
D	1	Top grid tray
E	1	Middle grid tray
F	1	Bottom grid tray

Tools required for assembly: Phillips screwdriver



Alvin & Company, Inc. Bloomfield, CT • Grand Prairie, TX

www.alvinco.com

China