

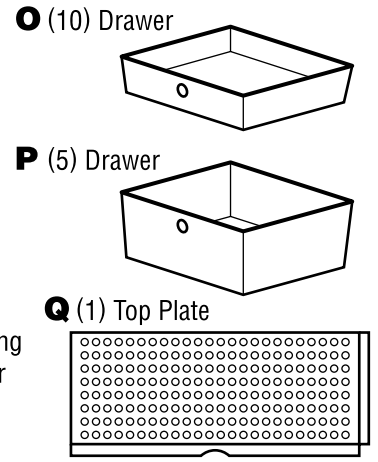
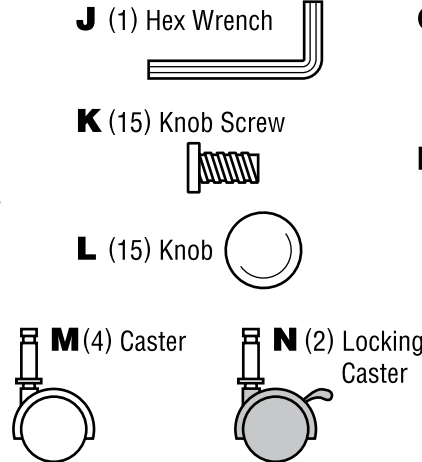
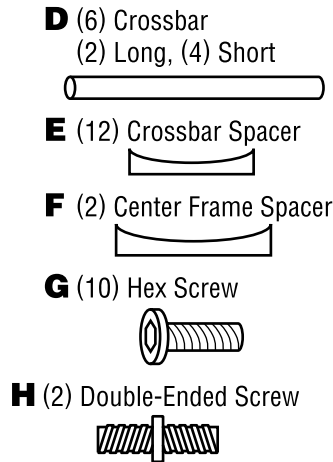
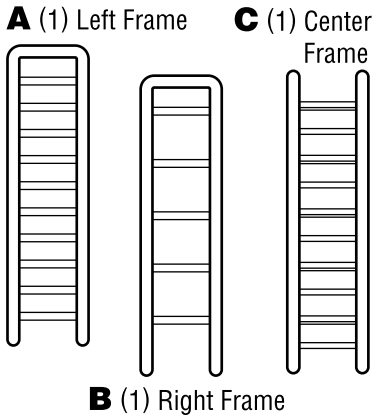
# 15-Drawer Storage Cart

## Assembly Instructions

For model SC15MCDW

**Tools Required:** Hex wrench (included)

**Parts Included:**



**To Assemble:**

- Attach two long crossbars (**D**) to top of left frame (**A**) and two short crossbars (**D**) to bottom of left frame (**A**) using four crossbar spacers (**E**) and four hex screws (**G**). Make sure crossbars are attached to the side of frame with drawer rails. Make sure curved side of spacers face the frame. Do not tighten screws fully yet.

Attach center frame (**C**) to middle of long crossbars (**D**) using two center frame spacers (**F**) and two hex screws. Make sure curved side of spacers face the crossbar.

Screw one end of double-ended screw (**H**) with crossbar spacer (**E**) completely into short crossbar. Attach center frame to double-ended screw with crossbar spacer. Attach another short crossbar to other end of double-ended screw with crossbar spacer. Repeat for back of center frame.

Attach right frame (**B**) to four crossbars using four crossbar spacers and four hex screws. Make sure drawer rails face in.

- Snap locking casters (**N**) into front corners of frame.

Snap non-locking casters (**M**) into remaining four frame legs.
- Attach 15 knobs (**L**) to 15 drawers (**O**)(**P**) with 15 knob screws (**K**). Insert drawers into rails.

- Snap on top plate (**Q**) and adjust frame to make sure it is square.

Fully tighten all 10 hex screws, alternating from side to side to assure the frame remains square.

