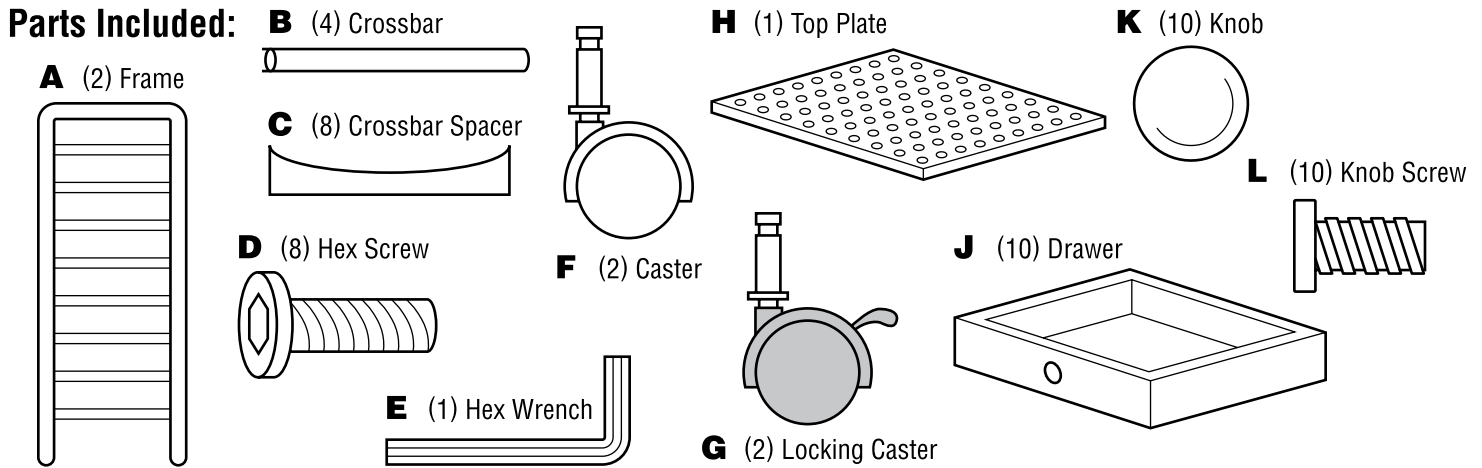


# 10-Drawer Storage Cart

## Assembly Instructions

For models SC10MC & SC10SM

**Tools Required:** Hex wrench (included)



### To Assemble:

- 1** Make sure drawer rails on frames (**A**) are facing each other. Snap locking casters (**G**) into same end of each frame. Snap non-locking casters (**F**) into frames.
- 2** Attach four crossbars (**B**) to one frame using the four crossbar spacers (**C**) and four hex screws (**D**). Make sure curved side of spacers face frame. Do not fully tighten screws yet. Attach second frame to four crossbars following instructions above.
- 3** Snap on top plate (**H**) and adjust frame to make sure it is square. Fully tighten all eight hex screws, alternating from side to side to assure the frame remains square.
- 4** Attach 10 knobs (**K**) to 10 drawers (**J**) with 10 knob screws (**L**).
- 5** Insert drawers into rails.

