



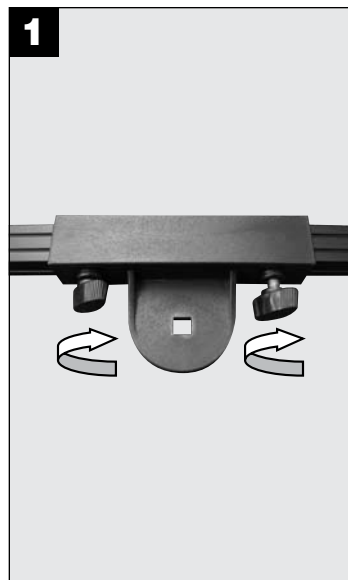
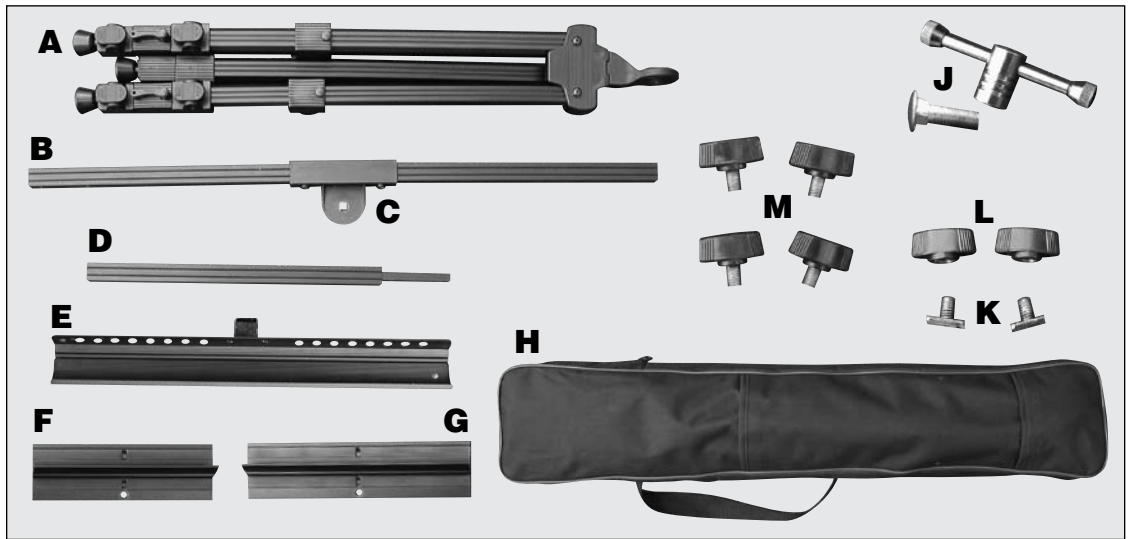
Aluminum Watercolor Easel

Assembly and Use Instructions

For model HAE660

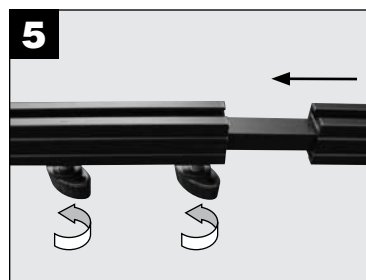
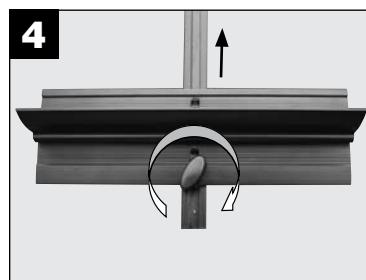
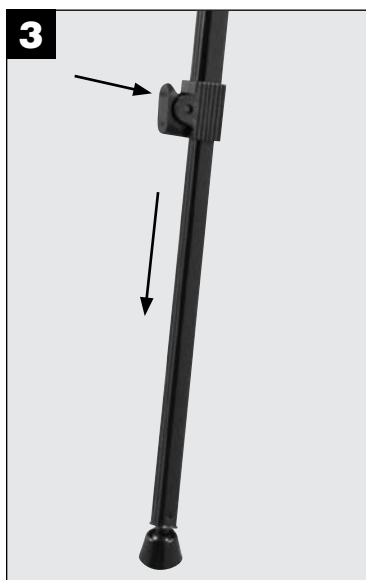
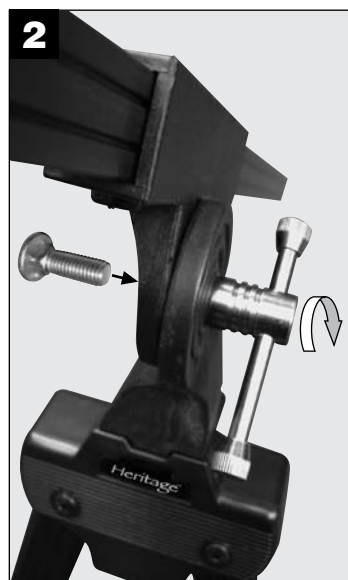
Parts Included:

- A** Easel Body
- B** Center Bar
- C** Pivot Head
- D** Extension Bar
- E** Canvas Tray
- F** Top End Bracket (6")
- G** Bottom End Bracket (10")
- H** Nylon Storage Bag
- J** Bolt and Nut for securing Pivot Head
- K** T-Bolts for securing End Brackets (2 pcs.)
- L** Screw knobs for securing End Brackets (2 pcs.)
- M** Thumbscrews for securing Center and Extension Bars (4 pcs.)



To Assemble:

- 1 Secure Center Bar**
Position pivot head (**C**) in the middle of center bar (**B**). Insert thumbscrews (**M**) and tighten gently.
- 2 Attach Pivot Head**
Use bolt and nut (**J**) to connect pivot head to easel body. Tighten firmly.
- 3 Extend Legs**
Open easel body (**A**) and extend legs to desired length. Press levers to lock and unlock.
- 4 Attach End Brackets to Center Bar**
Slide T-bolt (**K**) into center bar track, place end bracket (**F** or **G**) over bolt, attach screw knob (**L**) and tighten gently.
- 5 Attach Extension Bar to Center Bar (optional)**
The extension bar is only needed for panels and canvas between 25" and 36".
Slide extension bar (**D**) into center bar, insert thumbscrews from below and tighten gently.
- 6 Attach Canvas Tray**
Align support posts with tray holes that are equidistant from center, and snap into place by pushing down gently.



Horizontal Positioning



Standard setup for sizes between 7" and 24".



Use the extension bar for sizes between 25" and 36".



Place the end brackets on the same side of the pivot head for sizes between 3" and 7".

Vertical Positioning

Note: Remove lower thumbscrew from pivot head to allow the center bar into vertical-most position, if desired. Be sure upper thumbscrew is tightened firmly before doing so.



For small sizes, place the canvas between upper and lower end brackets on center bar.



For medium sizes, attach the canvas tray to the upper set of support posts and place the canvas between the top bracket and the tray. Insert the lower end of the center bar through the loop on the back of the tray for greatest stability.



For large sizes, attach the canvas tray to the lower set of support posts and place the canvas between the top bracket and the tray.



For extra large, lightweight display boards, use the extension bar and slide the center bar all the way up into the pivot head.

Warning: The easel is not designed to hold heavy weights at this height.

Use care not to overload.

Damage or personal injury may occur.

HINT For greatest stability:

1. Spread the legs as far apart as possible.
2. If easel is not needed at maximum height, partially retract all leg sections equally. Don't leave some sections at full extension, especially the lowest ones.
3. Make sure all the screws in the pivot head are tightened firmly.

HINT Store thumbscrews, T-bolts, and the extension bar in the outside pockets of the storage bag to avoid misplacing.

HINT If using a configuration that only requires one end bracket, use the longest one (10") up top for best results. They are interchangeable.

