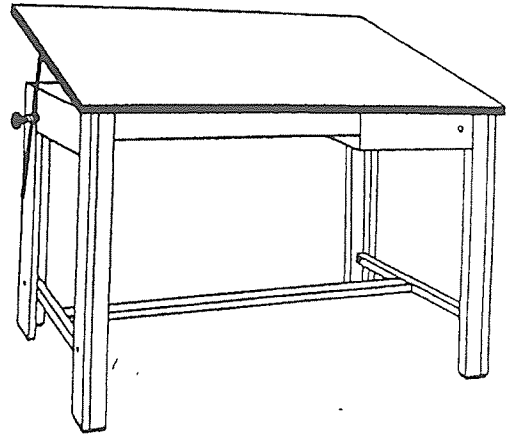


DESIGNMASTER TABLE ASSEMBLY INSTRUCTIONS

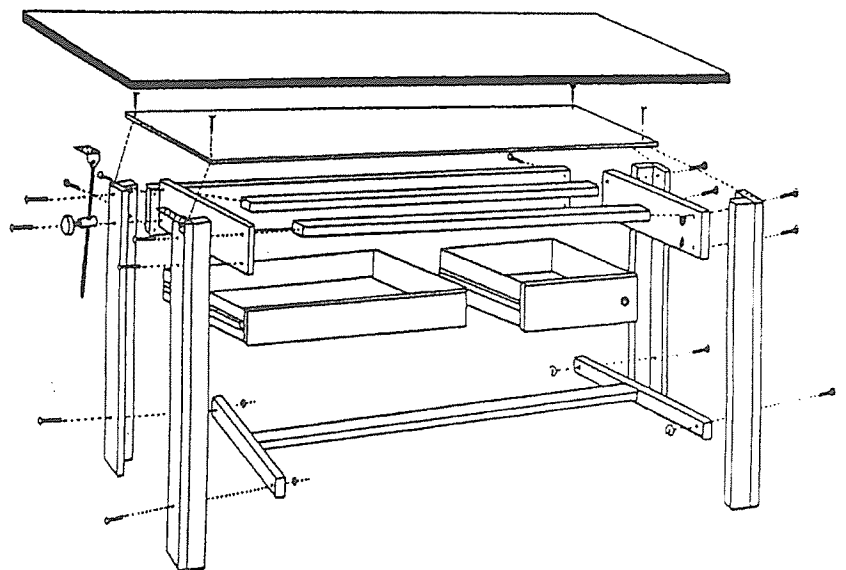


IMPORTANT: Do not tighten bolts. Keep snug until direction #6

1. Attach four legs to footrest as shown. Insert four 2 3/8" long allen head bolts through holes in leg and footrest. Lock on inside using lock nuts. (Please note: two legs with attached board mounting brackets are the right and left front legs.)
2. Attach rear melamine panel (7 1/8" x 47 1/2") between two back legs. Insert 1 1/4" allen head bolts first through melamine panel and then metal plate. Lock on inside using lock nuts.
3. Attach left and right melamine panels. Insert 1 1/4" allen head bolts first through melamine panel and then metal plate. Lock on inside using lock nuts. At this point using only two bottom holes on each panel. Keep attached metal barrel facing out and towards rear of table.
4. Attach two 5 1/4" tubes between upper holes in left and right side panels. Insert 2" allen head bolts first through melamine panel and then metal plate. Lock bolt into threaded insert in metal tube. Small pre-drilled holes in tubes must face down. These holes are used to attach optional drawer system.
5. Attach dust cover using four 1 1/4" allen head bolts. Lock bolt into threaded insert in metal leg.
6. Tighten all bolts. IMPORTANT: All panels must be tight up against metal legs:
7. Place rods in through holes in metal barrels. Tighten using enclosed plastic knobs.

CONTENTS OF BAG:

- 1 Allen key
- 4 2 3/8" allen bolts
- 4 2" allen bolts
- 12 1 1/4 allen bolts
- 2 adjustment knobs
- 12 lock nuts
- 12 sheet metal screws



SEE REVERSE SIDE FOR TOP ASSEMBLY

DESIGNMASTER TABLE TOP MOUNTING INSTRUCTIONS

This base can be used with either 60" or 72" wide top.
For either top, directions remain the same, except for #2.

1. Place top on floor or any clean, flat surface with better side facing down.
2. a. FOR 60" WIDE TOP - Using a pencil, draw lines parallel to both left and right edges of board. These lines should be $2\frac{1}{8}$ " from left and right edges.
b. FOR 72" WIDE TOP - using a pencil, draw lines parallel to both left and right edge of board. These lines should be $8\frac{1}{8}$ " from left and right edge.
3. Using an awl or any sharp object, punch a small starter hole on each end of board. These holes should be exactly 2" from front edge of board, on line drawn in step #2.
4. Using an awl or any sharp object, punch another small starter hole on each end of board. These holes should be exactly 23" from front edge of board, on line drawn in step #2.
5. Invert assembled table and place on board so that first (of four) holes in each front (longer) mounting bracket is right over hole punched 2" from front edge. The first (of two) holes in rear mounting bracket should line up at hole 23" from front edge.
6. Using four sheet metal screws, attach all four mounting brackets. Put screw through first hole in each bracket and fasten into punched hole in board.
7. Punch starter holes in remaining eight holes in mounting brackets. Attach sheet metal screws through holes in mounting brackets and into board.
8. Place large adjustment knobs in threaded barrel of angle adjustment mechanism and tighten so top cannot move when returning table to upright position.

IMPORTANT: If drawer assembly has also been purchased, it is advisable to install before table is returned to upright position.

