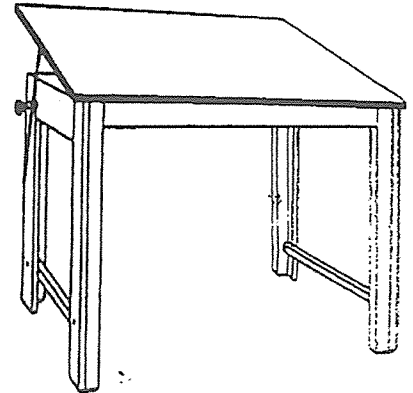


DESIGNMASTER TABLE COMPACT VERSION

DM48CT

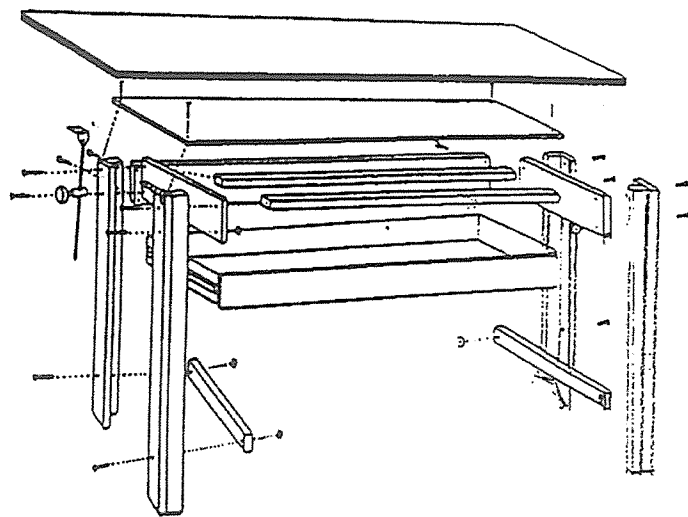
ASSEMBLY INSTRUCTIONS

- 1 Attach rear melamine panel (7 1/8" x 35 1/4") between two back legs. Insert 1 1/4" Allen head bolts through panel and then metal plate. Lock on inside using lock nuts. (please note: two legs without attached mounting brackets are the back legs).
- 2 Attach left and right melamine panels. Insert 1 1/4" Allen bolt through bottom hole in panel and then metal plate. Lock on inside using lock nuts. Keep attached metal barrel facing out and towards rear of table. Attach 39 1/4" x 7/8" square tube between upper holes in left and right side panels. Insert 2" Allen bolt through panel and then metal plate. Lock bolt into threaded insert in metal tube. Small pre-drilled holes in tubes must face down. They will be used to attach drawer.
- 3 Attach front legs to side panels with drawing board mounting brackets facing out as shown in drawing. For bottom holes use 1 1/4" Allen bolt through panel and then metal plate. Lock on inside with lock nut. For top holes put 2" Allen bolt through panel and then metal plate. Lock bolt into threaded insert in metal tube, with small holes facing down, as in step 2.
- 4 Attach 25 1/4" metal crossbars using 2 3/8" Allen bolts and nuts as shown in drawing.
- 5 Attach dust cover using four 1 1/4" Allen head bolts. Lock bolt into threaded insert in metal leg.
- 6 Tighten all bolts. **IMPORTANT:** All panels must be tight up against metal legs:
- 7 Place rods in through holes in metal barrels. Tighten using enclosed plastic knobs.
- 8 Attach drawer face to drawer using two 1" sheet metal black screws. When attached correctly, bottom of drawer face should be aligned with bottom of drawer.
- 9 Use four 3/4" screws to attach drawers to pre-drilled holes in underside of 39 1/4" tubes. Put screw through center hole in drawer mounting bracket and screw into pre-drilled hole in tube.



CONTENTS OF BAG

- 1 Allen Key
- 4 2 3/8" Allen bolts
- 4 2" Allen bolts
- 12 1 1/4" Allen bolts
- 2 adjustment knobs
- 12 lock nuts
- 16 3/4" sheet metal screws
- 2 1" sheet metal screws



DESIGNMASTER TABLE
TOP MOUNTING INSTRUCTIONS

DM48CT - COMPACT VERSION
DM48LT - OFFICE VERSION

This base can be used with either 48" or 60" wide top.
For either top, directions remain the same, except for #2.

1. Place top on floor or any clean, flat surface with better side facing down.
2. a. For 48" WIDE TOP - using a pencil, draw lines parallel to both left and right edges of board. These lines should be $2 \frac{1}{8}$ " from left and right edges.
b. For 60" WIDE TOP - using a pencil, draw lines parallel to both left and right edges of board. These lines should be $8 \frac{1}{8}$ " from left and right edges.
3. Using an awl or any sharp object, punch a small starter hole on each end of board. These holes should be exactly 2" from front edge of board, on line drawn in step #2.
4. Using an awl or any sharp object, punch another small starter hole on each end of board. These holes should be exactly 23" from front edge of board, on line drawn in step #2.
5. Invert assembled table and place on board so that first (of four) holes in each front (longer) mounting bracket is right over hole punched 2" from front edge. The first (of two) holes in rear mounting bracket should line up at hole 23" from front edge.
6. Using four sheet metal screws, attach all four mounting brackets. Put screw through first hole in each bracket and fasten into punched hole in board.
7. Punch starter holes in remaining eight holes in mounting brackets. Attach sheet metal screws through holes in mounting brackets and into board.
8. Place large adjustment knobs in threaded barrel of angle adjustment mechanism and tighten so top cannot move when returning table to upright position.

