



# Mobile Racks

## Technical Specification Sheet

For models **BPR059-12** and **BPR059-18**

### Vertical Filing System for Blueprints and Large Format Documents

Industrial strength steel construction, 240 lb. capacity

Fits clamp sizes 24", 30", and 36"

Adjustable height for documents 36" to 48" long

Adjustable length for documents 24" to 36" wide

Unique steel handles for easy mobility

Heavy-duty 3" diameter swivel wheels

Includes floor glides for non-mobile use

Durable powder-coated finish in Barley color

Model BPR059-12 holds 12 Hanging Clamps, sold separately

Model BPR059-18 holds 18 Hanging Clamps, sold separately

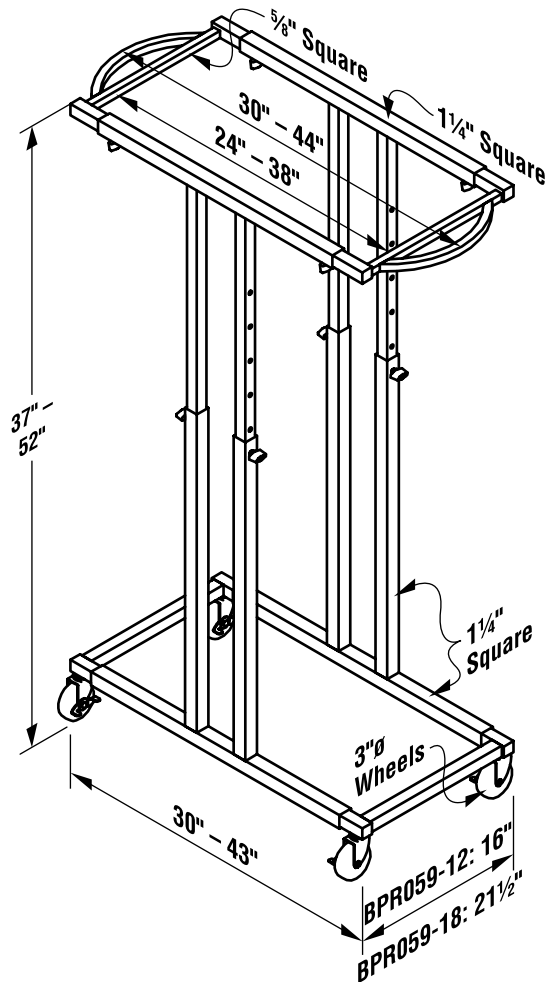
Fits clamps from other manufacturers

Easy to assemble and adjust

Limited lifetime warranty



BPR059-12



### Contents

- 1 Rack Unit
- 1 Set of 3" Diameter Swivel Wheels
- 1 Set of Floor Glides

### BPR059-12 Packaging Information

Carton Weight: 32 lbs.  
 Carton Dimensions: 34" x 33" x 3"

### BPR059-18 Packaging Information

Carton Weight: 35 lbs.  
 Carton Dimensions: 34" x 33" x 3"

### Limited Lifetime Warranty

Alvin & Company warrants its Blueprint Racks to be free from defects in workmanship and materials under normal use for the lifetime of the product for as long as the original purchaser owns it. Should service be required by reason of any defect or malfunction, Alvin will repair, provide replacement parts, or at its discretion, replace the product without charge subject to verification of the defect or malfunction. This warranty is valid only if the product is used for the purpose for which it was designed. It does not cover products that have been damaged by negligence, misuse, or accident or which have been modified or repaired by unauthorized persons. Coverage is at Alvin's discretion, subject to verification. Please refer to Alvin's website [www.alvinco.com](http://www.alvinco.com) for additional information and details.