



Wall-Mounted Rack

Technical Specification Sheet

For model **BPR030**

Vertical Filing System for Blueprints and Large Format Documents

Industrial strength steel construction, 240 lb. capacity

Fits clamp sizes 18", 24", 30", 36", and 42"

Attaches to wall at desired height

Mounts directly to wall studs or solid surface

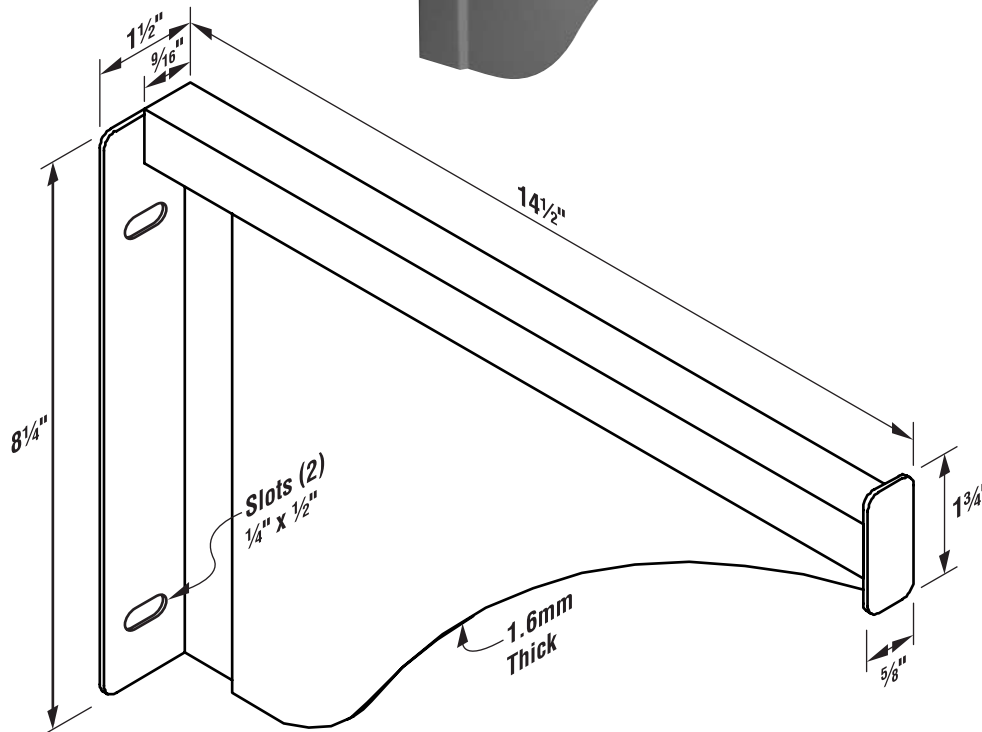
Holds 12 Hanging Clamps, sold separately

Durable powder-coated finish in Barley color

Fits clamps from other manufacturers

Instructions in English, Spanish, and French

Limited lifetime warranty



Contents

- 2 Wall Brackets
- 4 Mounting Screws

Important note:

Screws are 1 3/4" (45mm) long and intended for attaching rack to wood wall studs. If attaching rack to other surfaces, suitable screws must be purchased separately.

Packaging Information

Carton Weight: 4 lbs.
Carton Dimensions: 14" x 10" x 2"

Limited Lifetime Warranty

Alvin & Company warrants its Blueprint Racks to be free from defects in workmanship and materials under normal use for the lifetime of the product for as long as the original purchaser owns it. Should service be required by reason of any defect or malfunction, Alvin will repair, provide replacement parts, or at its discretion, replace the product without charge subject to verification of the defect or malfunction. This warranty is valid only if the product is used for the purpose for which it was designed. It does not cover products that have been damaged by negligence, misuse, or accident or which have been modified or repaired by unauthorized persons. Coverage is at Alvin's discretion, subject to verification. Please refer to Alvin's website www.alvinco.com for additional information and details.