



Mobile Pivot Rack

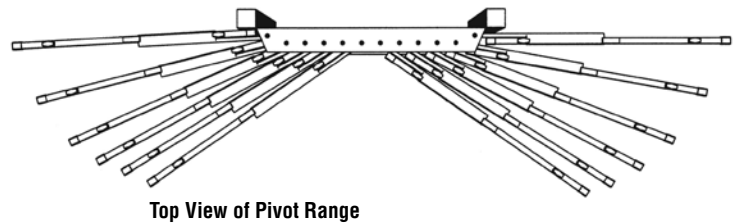
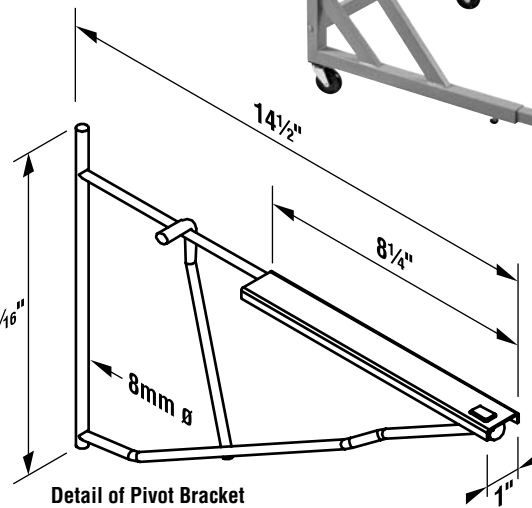
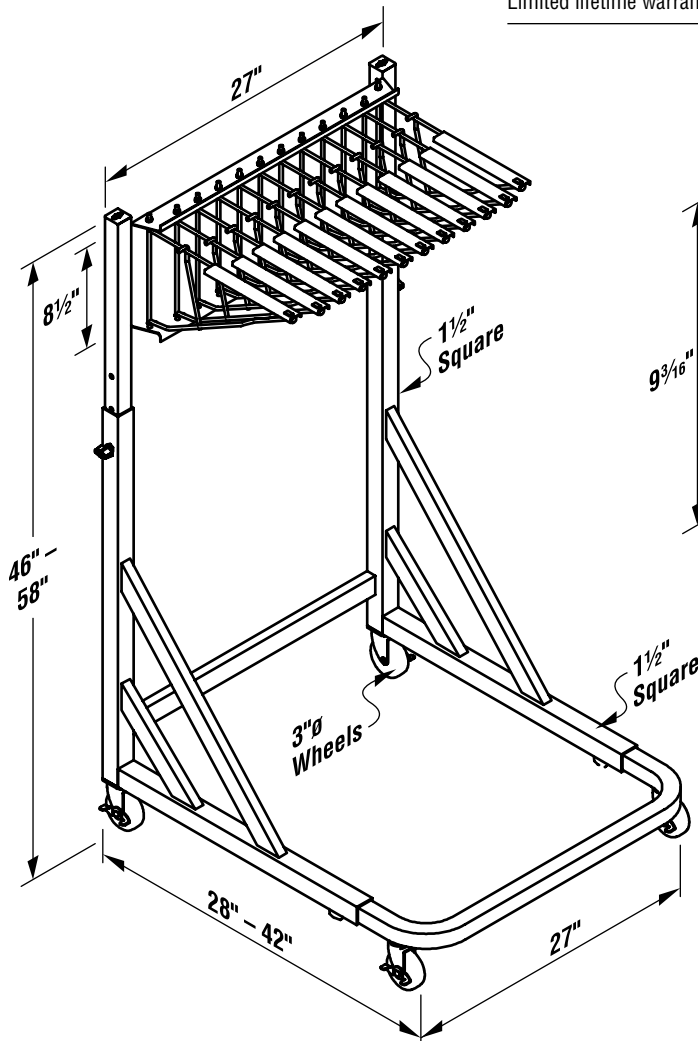
Technical Specification Sheet

For model **BPR026**

Vertical Filing System for Blueprints and Large Format Documents

Industrial strength steel construction, 240 lb. capacity
 Fits clamp sizes 18", 24", 30", and 36"
 Adjustable height for documents from 24" to 48" long
 Adjustable depth for documents from 18" to 36" wide
 Heavy-duty 3" diameter swivel wheels
 Includes floor glides for non-mobile applications
 Twin diagonal support bars for strength

Durable powder-coated finish in Barley color
 Includes 12 Pivot Brackets
 Pivot brackets swing wide in both directions
 Holds 12 Hanging Clamps, sold separately
 Fits clamps from other manufacturers
 Instructions in English, Spanish, and French
 Easy to assemble and adjust
 Limited lifetime warranty



Packaging Information

Carton Weight: 53 lbs.
 Carton Dimensions: 39" x 32" x 9"

Contents

- 1 Rack Unit
- 12 Pivot Brackets
- 1 Set of 3" Diameter Swivel Wheels
- 1 Set of Floor Glides

Limited Lifetime Warranty

Alvin & Company warrants its Blueprint Racks to be free from defects in workmanship and materials under normal use for the lifetime of the product for as long as the original purchaser owns it. Should service be required by reason of any defect or malfunction, Alvin will repair, provide replacement parts, or at its discretion, replace the product without charge subject to verification of the defect or malfunction. This warranty is valid only if the product is used for the purpose for which it was designed. It does not cover products that have been damaged by negligence, misuse, or accident or which have been modified or repaired by unauthorized persons. Coverage is at Alvin's discretion, subject to verification. Please refer to Alvin's website www.alvinco.com for additional information and details.