



Blueprint Clamps

Technical Specification Sheet

For models **BPC18, BPC24, BPC30, BPC36, BPC42**

Vertical Filing System for Blueprints and Large Format Documents

Professional grade for office and field use

Made from high quality extruded aluminum

Each clamp holds up to 100 prints or 20 lbs.

Solid steel, polished chrome wing nuts have built-in "stops" to prevent them from falling off accidentally

Strong grip holds blueprints securely.
Jaws open wide for easy loading

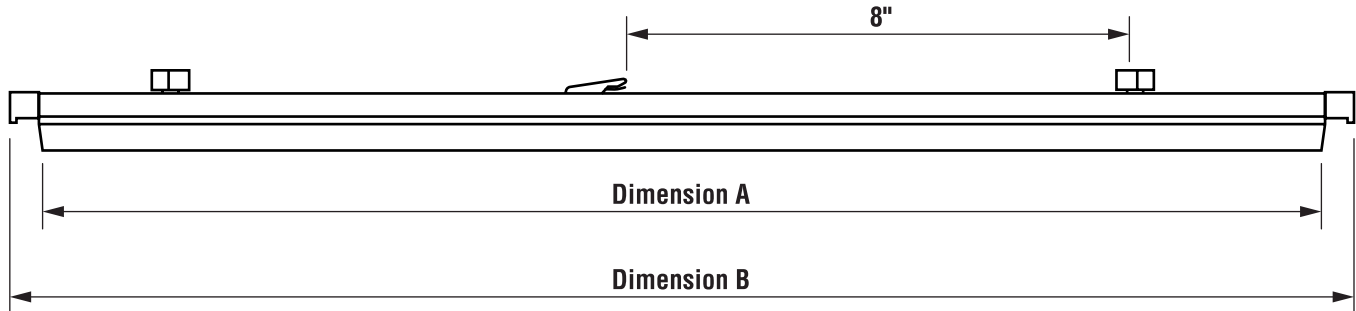
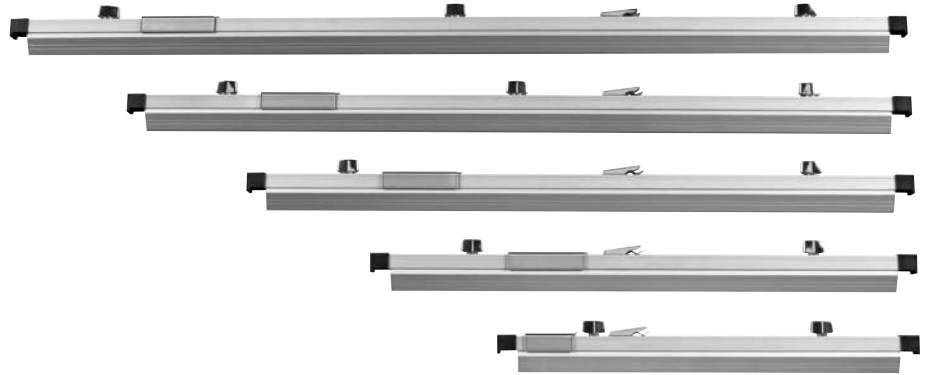
For use with all Alvin®, Safco®, and Mayline® racks

Wing nuts and T-bolts are interchangeable with PlanHold™, Safco®, and Mayline® clamps

Plastic label holder with blank cardstock included

Instructions in English, Spanish, and French

Limited lifetime warranty



Contents

6 Clamps, fully assembled and ready to use

Item #	Description	Dimension A	Dimension B	Box Dimensions	Box Weight
BPC18	18" clamps, box of 6	18"	20"	6" x 3.25" x 22.5"	6 lbs.
BPC24	24" clamps, box of 6	24"	26"	6" x 3.25" x 28.5"	7 lbs.
BPC30	30" clamps, box of 6	30"	32"	6" x 3.25" x 34.5"	8 lbs.
BPC36	36" clamps, box of 6	36"	38"	6" x 3.25" x 40.5"	9 lbs.
BPC42	42" clamps, box of 6	42"	44"	6" x 3.25" x 46.5"	10 lbs.

Limited Lifetime Warranty

Alvin & Company warrants its Blueprint Racks to be free from defects in workmanship and materials under normal use for the lifetime of the product for as long as the original purchaser owns it. Should service be required by reason of any defect or malfunction, Alvin will repair, provide replacement parts, or at its discretion, replace the product without charge subject to verification of the defect or malfunction. This warranty is valid only if the product is used for the purpose for which it was designed. It does not cover products that have been damaged by negligence, misuse, or accident or which have been modified or repaired by unauthorized persons. Coverage is at Alvin's discretion, subject to verification. Please refer to Alvin's website www.alvinco.com for additional information and details.