



Saturn Drawing Table

Assembly Instructions

MODELS ST42-3, ST48-3

Tools Included: Phillips/flat head screwdriver, key.

Parts Included:



A Frame

B 2pcs Base Pipes



C 4pcs Handles



D 10pcs Screws



E 6pcs Bolts

F 4pcs Rubber Foot Adjusters
PLUS 2pcs Extra Adjusters



G 1pc Tray



H 1pc Drawing Board (included separately
when ordered as a complete table)



To Assemble:

Unpack parts and inspect to confirm that all are present.

- 1** Attach the Frame (**A**) to the Base Pipes (**B**) with 4 Bolts (**E**) and tighten them with Key (included). See **Figure 1**.

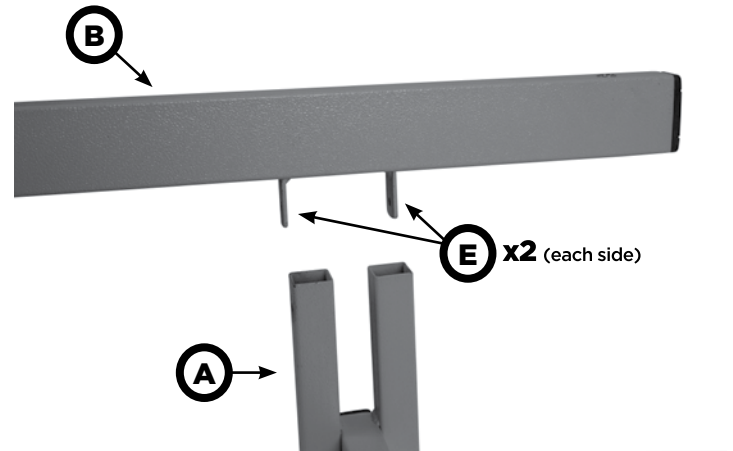


Figure 1

- 2** Insert 4 Rubber Foot Adjusters (**F**) to adjust the height/balance of the stand. See **Figure 2**.

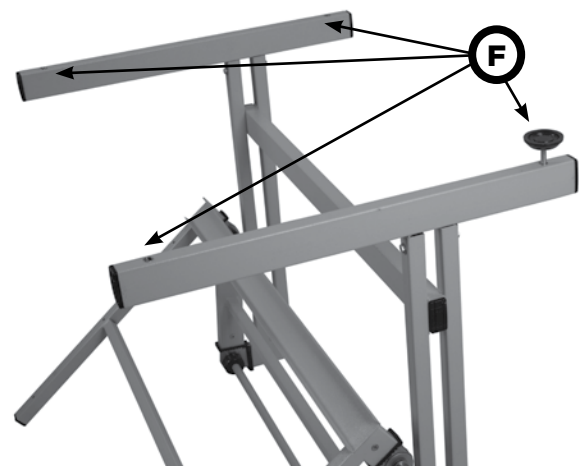


Figure 2



Saturn Drawing Table

Assembly Instructions

MODELS ST42-3, ST48-3

3 Attach Tray (**G**) to Frame using 4 Screws (**D**) and Screw Driver (included). See **Figure 3**.

4 Attach Handles (**C**) to Frame (**A**) using Nuts and Bolts and Key (included). See **Figure 4**.

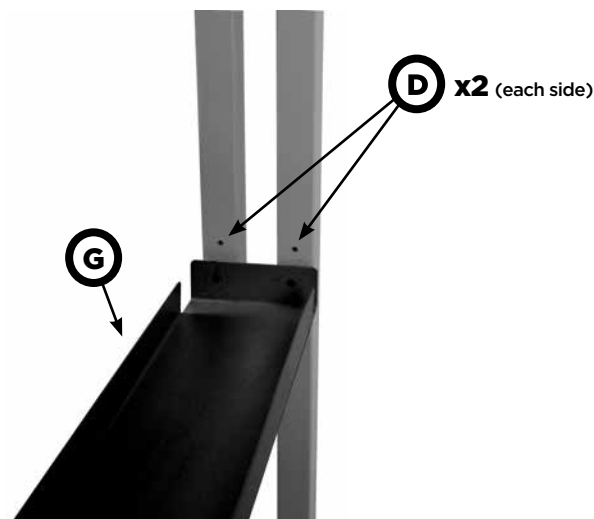


Figure 3



Figure 4

5 Place Drawing Board (**H**) facedown on the ground and then place the fully assembled Frame on the Drawing Board. Center Frame (left/right) on Drawing Board. Mark and then drill the holes to attach the Frame to the Drawing Board. Attach using 6 Screws (**D**) and Screw Driver (included). See **Figure 5**.

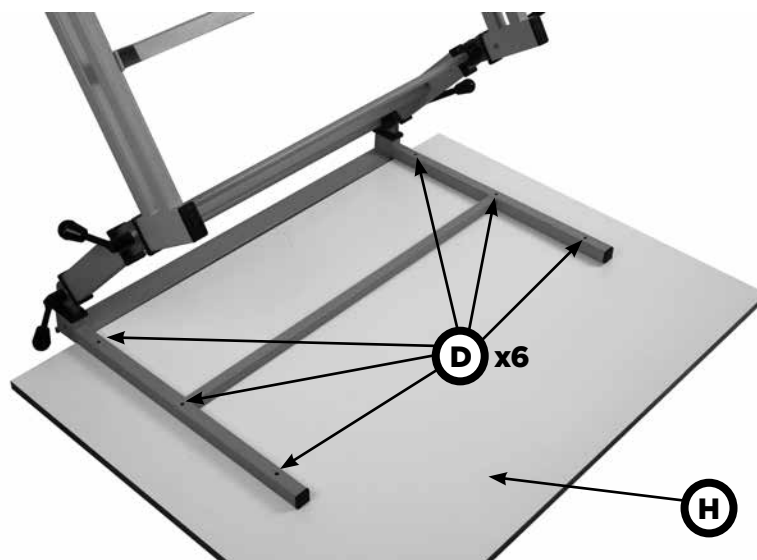


Figure 5

