



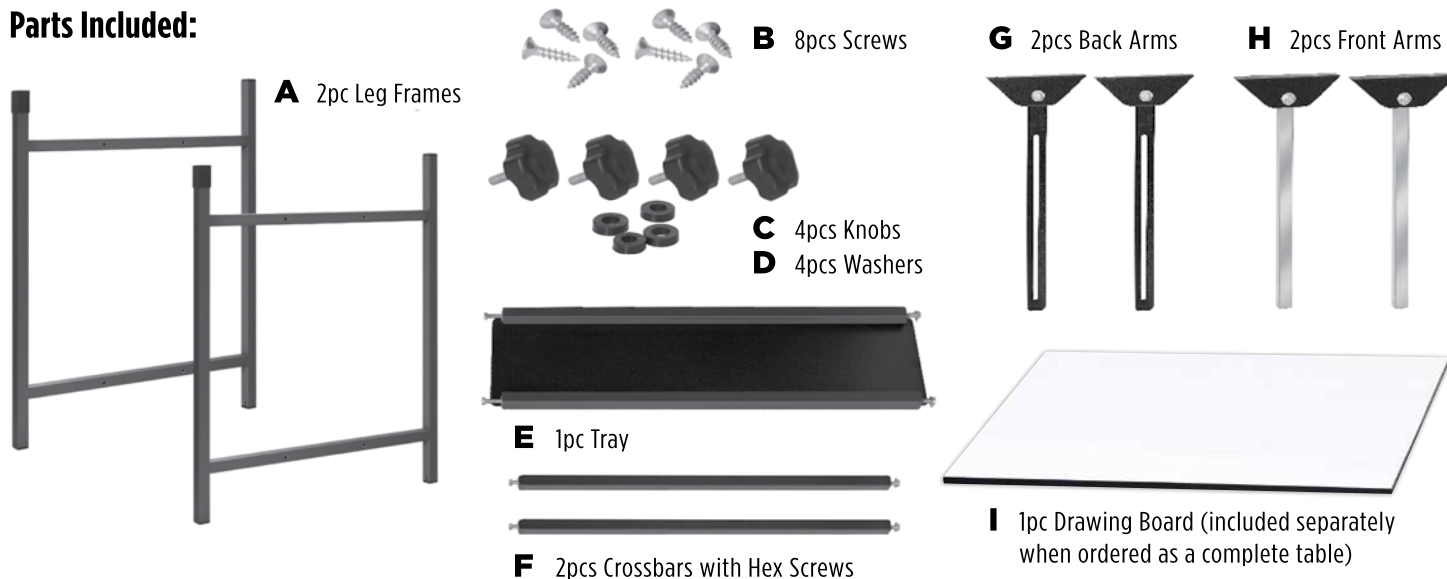
Galaxy Drawing Table

Assembly Instructions

MODELS GAL42-3, GAL48-3

Tools Included: Phillips screwdriver, flat head screwdriver, hex wrench.

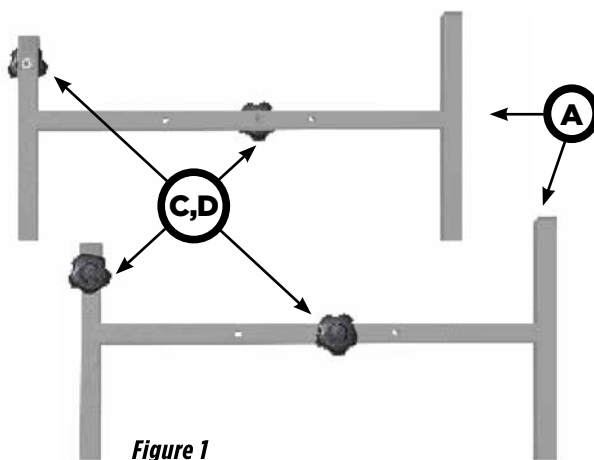
Parts Included:



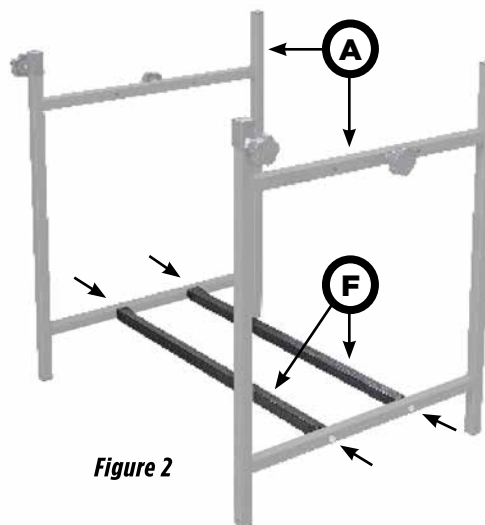
To Assemble:

Unpack parts and inspect to confirm that all are present.

- 1** With fingers, screw 2 Knobs (**C**) and 2 Washers (**D**) into each Leg Frame (**A**). Place Washer between Knob and Frame. Use holes drilled at top of legs and holes drilled in center of crossbar. Do not tighten. See **Figure 1**.



- 2** Locate holes drilled into Leg Frames (**A**) and connect Leg Frames with Crossbars (**F**) using hex screws and hex wrench (included). See **Figure 2**.





Galaxy Drawing Table

Assembly Instructions

MODELS GAL42-3, GAL48-3

- 3** Attach Tray (**E**) to Frame (**A**) using 4 Hex Screws and Hex Wrench (included). See **Figure 3**.

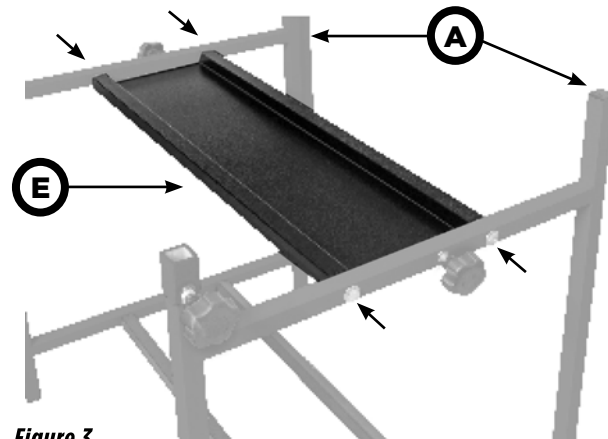


Figure 3

- 4** Loosen Knobs (**C**) for Front and Back Arms (**G, H**) to slide into Frame. Tighten Knobs. See **Figure 4**.

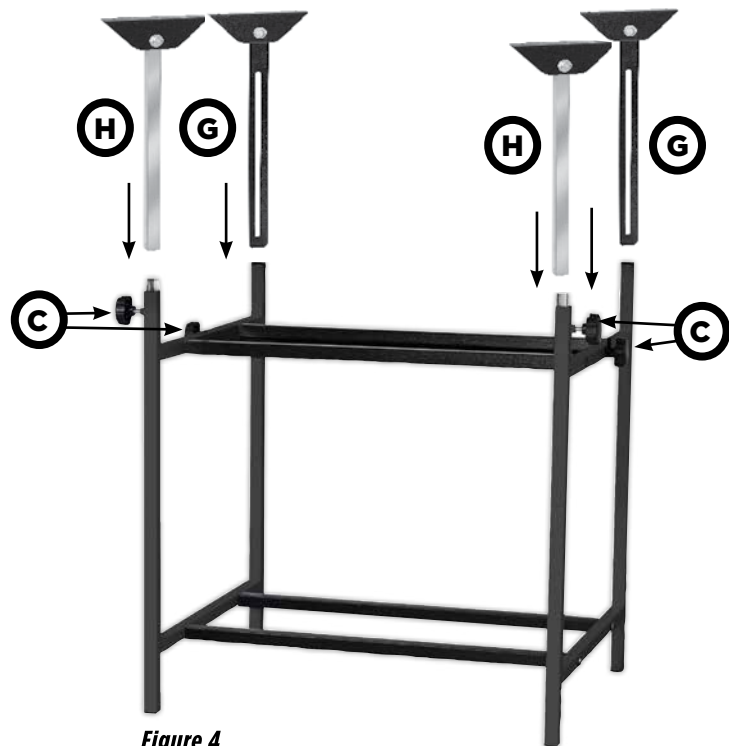


Figure 4

- 5** Place Drawing Board (**I**) facedown on the ground and then place the fully assembled Frame on the Drawing Board. Center Frame (left/right, front/back) on the Drawing Board. Mark and then drill the holes to attach the Front Arms (**H**) and Back Arms (**G**) to left and right side of Drawing Board. Attach using 8 Screws (**B**) and Screwdriver (included). See **Figure 5**.

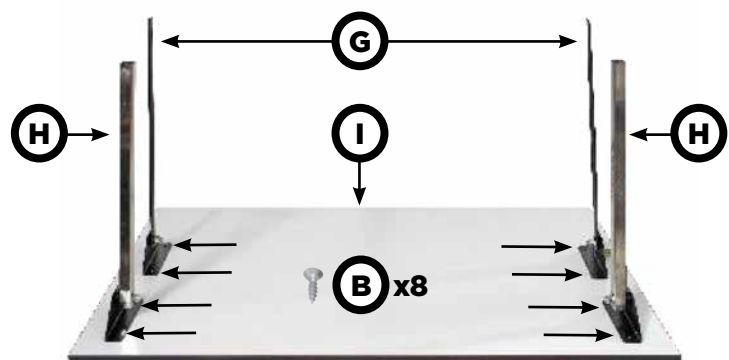


Figure 5

