

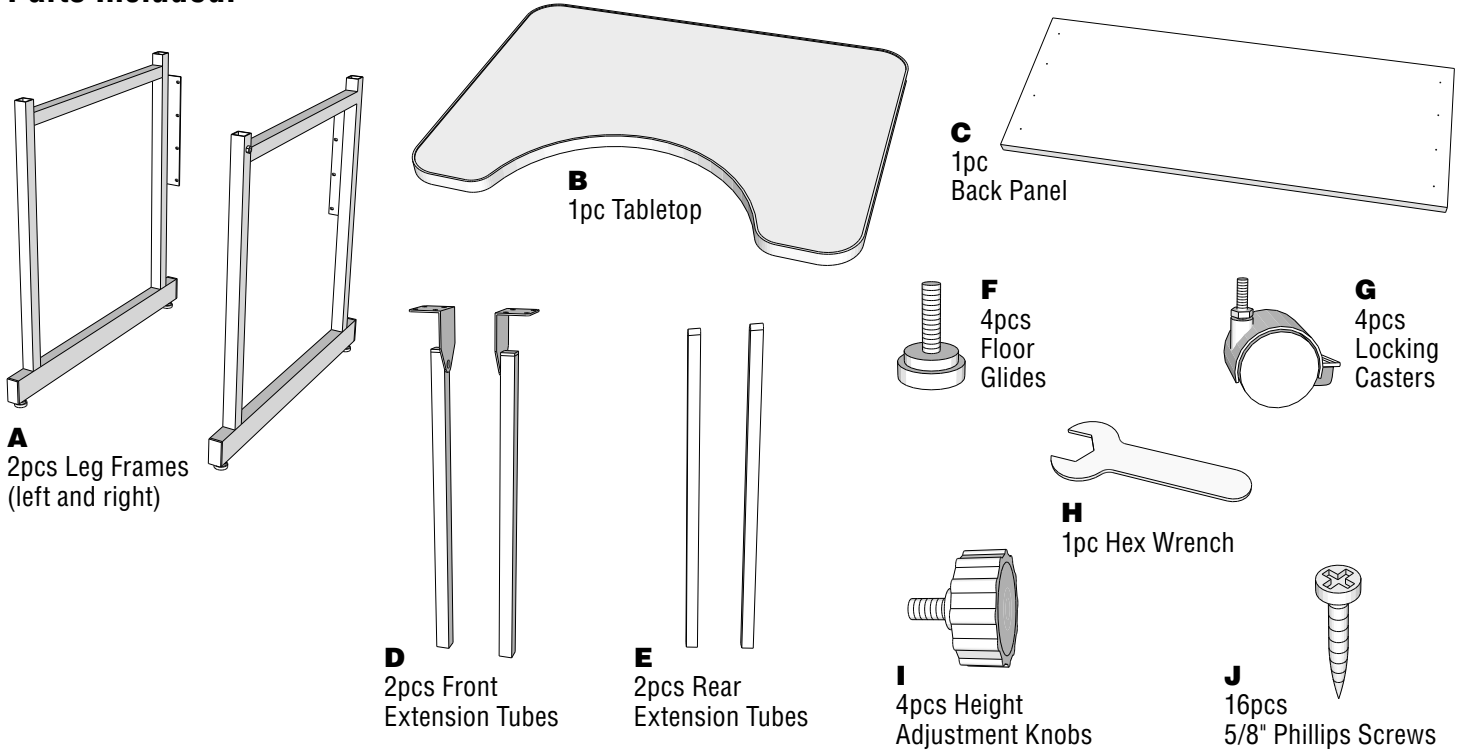


# 4-Post REFLEX Tables

## Assembly Instructions

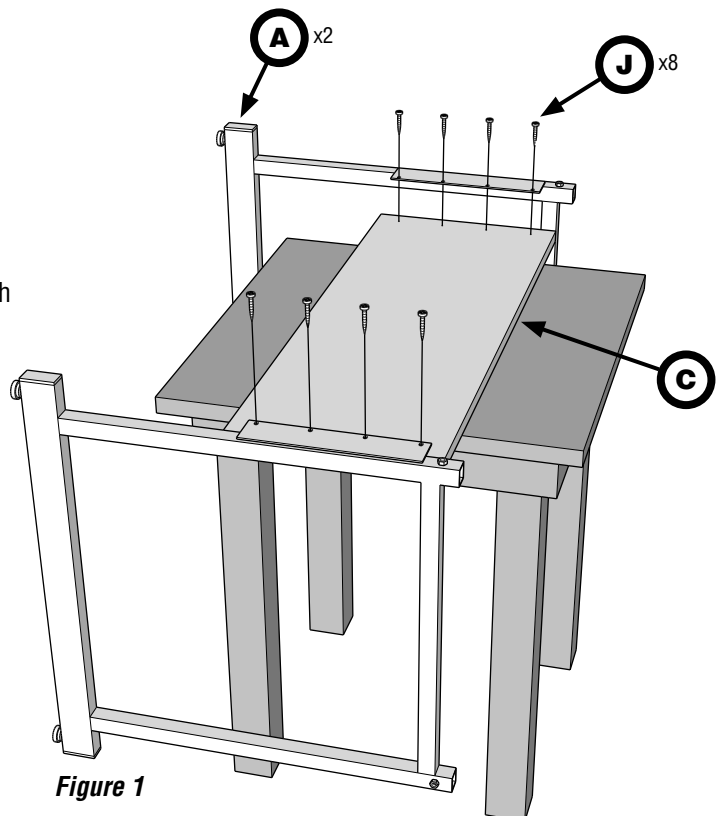
**Tools required:** Phillips Screwdriver

### Parts Included:



**To Assemble Base Frame:** Unpack and inspect contents to confirm you have all parts listed above.

- 1** Place back panel (**C**) on a bench or table at least 20" tall with ends hanging over the edge and pre-drilled holes facing up.
- 2** Hang left leg frame (**A**) on top of back panel (see *Figure 1*). Make sure end of back panel is tight against the leg tube, and holes in steel flange are aligned with pre-drilled holes in back panel. Attach using 4 Phillips screws (**J**). Tighten securely with Phillips screwdriver, using care not to strip or over tighten.
- 3** Repeat Step 2 for right leg frame (**A**).





# 4-Post REFLEX Tables Assembly Instructions

- 4** Carefully remove base assembly from table/bench and place upright on floor.
- 5** Insert front extension tubes (**D**) into front leg tubes of the frame with brackets facing out (see **Figure 2**).
- 6** Insert rear extension tubes (**E**) into rear leg tubes of the frame (see **Figure 2**). Curved black caps on extension tubes should face front to back.
- 7** Screw height adjustment knobs (**I**) into each leg tube (see **Figure 2**). Tighten gently with the extension tubes at their lowest position. (Final height will be adjusted after tabletop is attached.)

Base frame assembly is now complete.

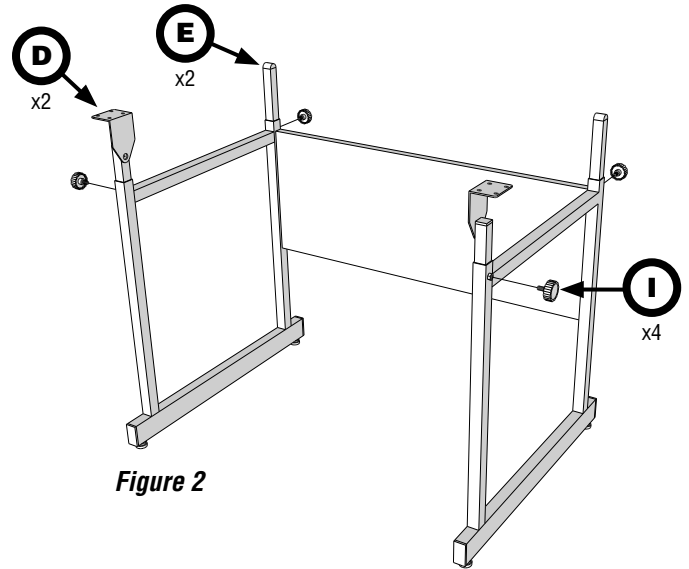


Figure 2

## To Attach Tabletop to Base Frame:

- 8** Place tabletop (**B**) on a carpeted or otherwise protected floor with pre-drilled holes facing up.
- 9** Carefully turn the assembled base upside down and place on tabletop (see **Figure 3**). This may require two people.
- 10** Position the assembled base so that holes in front extension tube mounting brackets align with pre-drilled holes in tabletop. Attach using 8 Phillips screws (**J**). Tighten securely with Phillips screwdriver using care not to strip or over tighten.

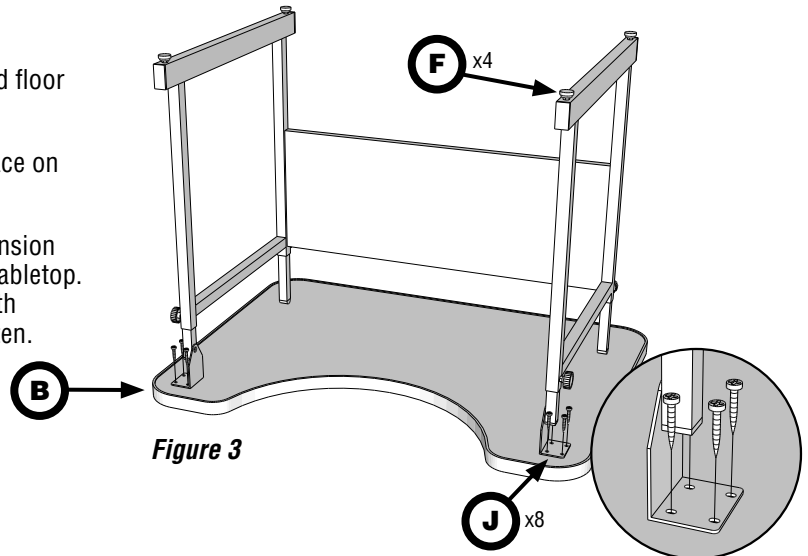


Figure 3

- 11** Floor glides (**F**) have been preinstalled at the factory (see **Figure 3**). If you wish to use casters (**G**) instead of floor glides, simply unscrew glides from each leg. Replace with casters using the included hex wrench (**H**) (see **Figure 4**). Note that casters will add about 1½" to the overall height of the table.

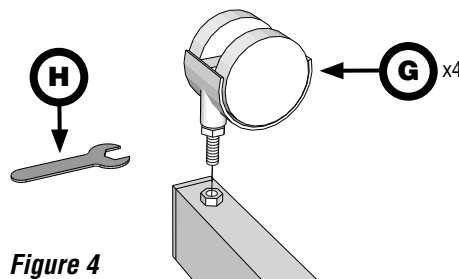


Figure 4

- 12** Carefully return table assembly to the upright position (see **Figure 5**). This may require two people.

Adjust tabletop to desired height and angle by loosening height adjustment knobs, sliding extension tubes up or down, and retightening knobs.



Figure 5  
Fully assembled

