



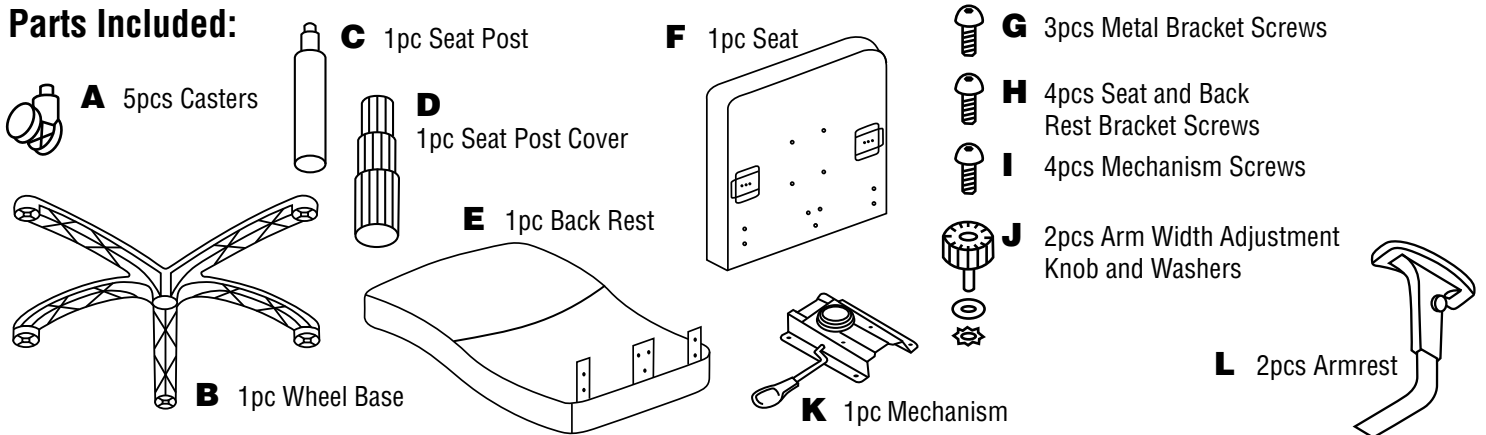
Olympian Chair (Office Height)

Assembly Instructions

Tools Required: Allen wrench

Important: Keep screws loosely tightened during the assembly process. Tighten them fully once chair is assembled or when instructed.

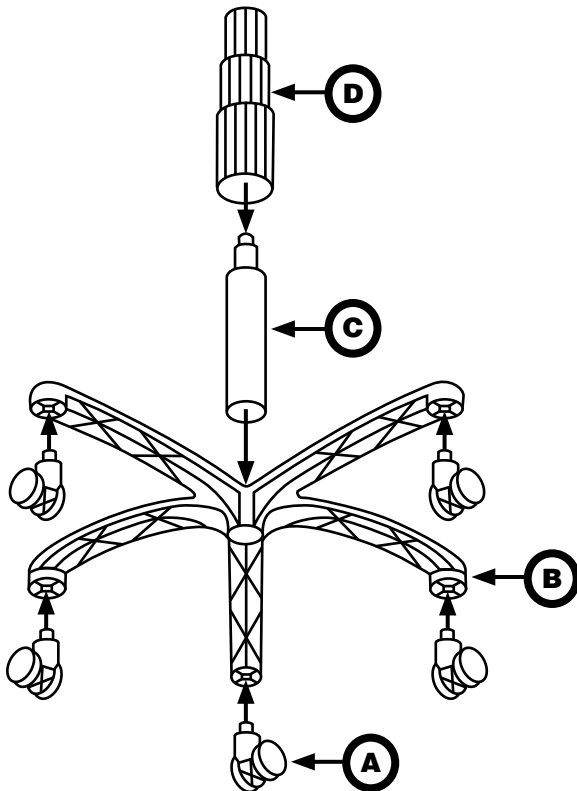
Parts Included:



To Assemble:

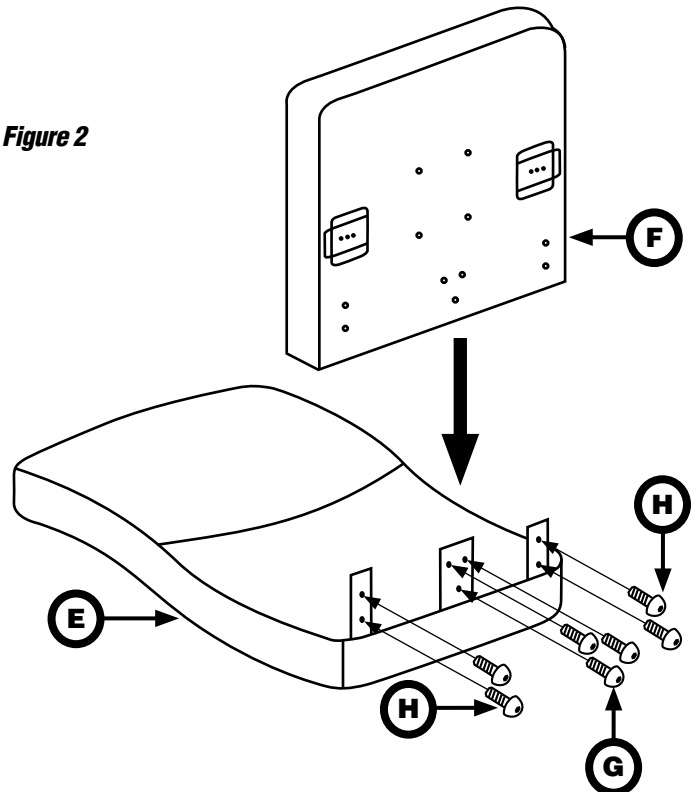
- 1** Unpack and inspect contents to confirm you have all pieces pictured.
- 2** Attach five casters (**A**) to the legs of the wheel base (**B**) as shown in **Figure 1**.
- 3** Attach the seat post (**C**) to the wheel base and cover with the seat post cover (**D**), with narrowest part at the top.

Figure 1



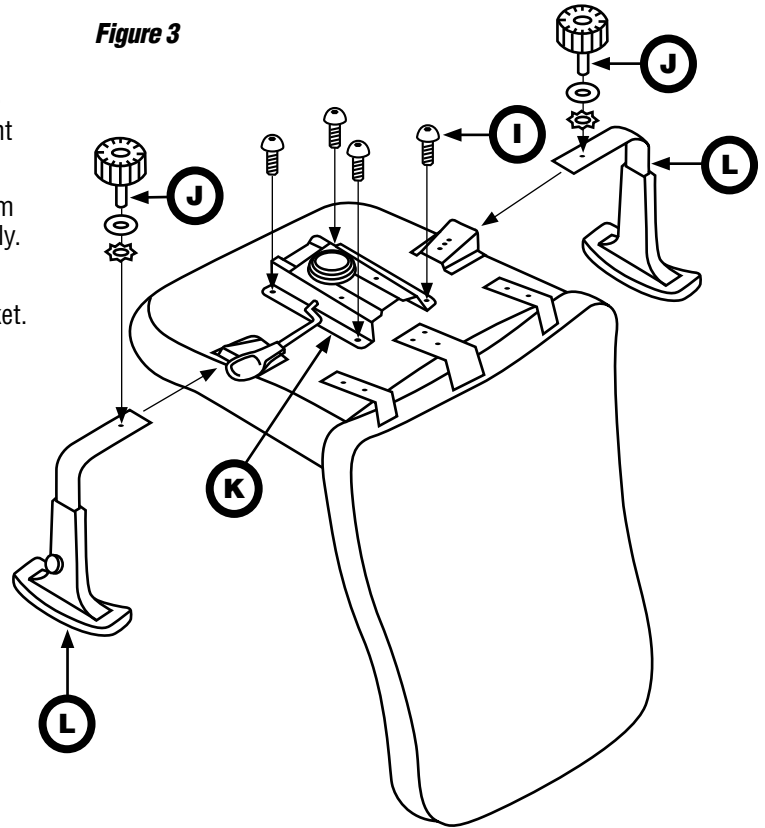
- 4** Place the back rest (**E**) face up on a clean, flat surface with the attached brackets facing up. See **Figure 2**.
- 5** Position the seat (**F**) so that the holes are lined up with the holes on the back rest brackets.
- 6** Use three metal bracket screws (**G**) in the middle 3-hole metal bracket to attach the seat and the back rest. Leave screws loosely tightened until all screws are in place.
- 7** Use four seat and back rest bracket screws (**H**) in the outer back rest brackets to firmly attach the seat to the back rest. Tighten all screws.

Figure 2

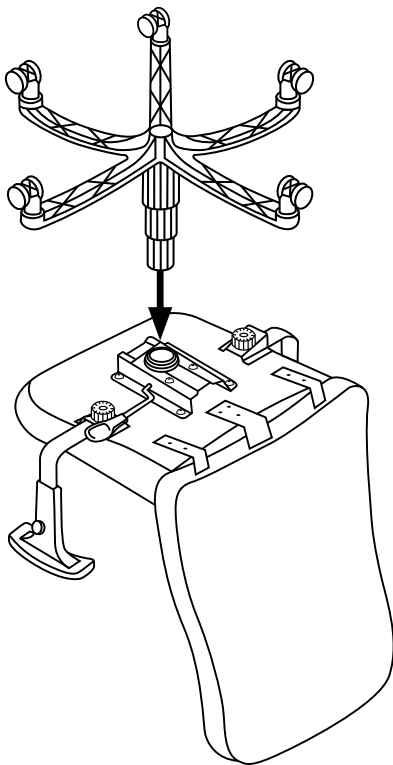


- 8** Place the chair face down on a sturdy table so that the bottom of the seat is facing up. See **Figure 3**.
- 9** Align the mechanism (**K**) with the holes in the center of the chair base, making sure the front indicator is facing the front of the chair.
- 10** Use the four mechanism screws (**I**) to attach the mechanism to the seat bottom. Tighten all four mechanism screws firmly.
- 11** Slide the right armrest (**L**) into the right arm bracket until the hole in the armrest aligns with the hole in the arm bracket.
Use one arm width adjustment knob and washer (**J**) to tighten the armrest to the seat bottom. Tighten knob firmly.
Repeat for the left armrest.

Figure 3



- 12** Place assembled wheel base securely into the assembled seat, making sure the seat post is firmly inserted into the mechanism.



- 13** Flip chair right side up. Your chair is ready to use.

