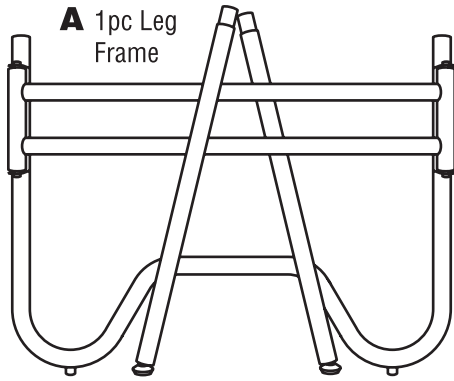




Opal Table Assembly Instructions

Tools Required: Phillips screwdriver, drill with 1/16" bit, measuring tape, pencil (not included)

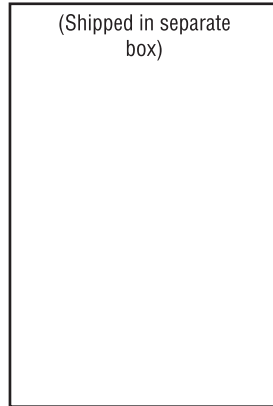
Parts Included:



A 1pc Leg Frame

B 1pc Tabletop

(Shipped in separate box)



D 2pcs Front Extension Tubes

C 2pcs Rear Extension Tubes

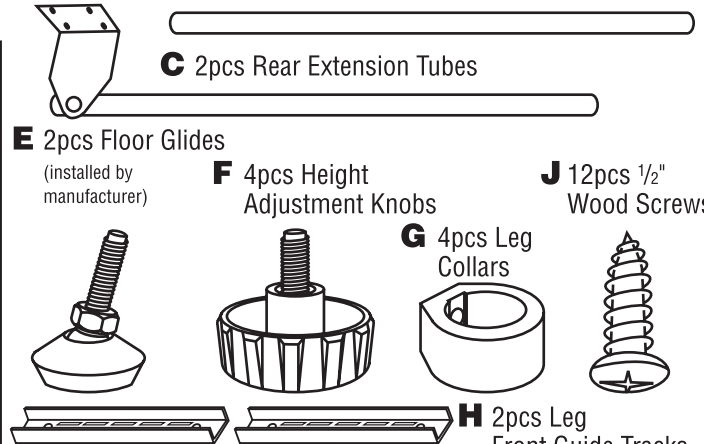
E 2pcs Floor Glides
(installed by manufacturer)

F 4pcs Height Adjustment Knobs

J 12pcs 1/2" Wood Screws

G 4pcs Leg Collars

H 2pcs Leg Front Guide Tracks



To Assemble:

Unpack all parts and inspect to confirm that all are present.

- 1** Unfold base (**A**).
- 2** Install leg collars (**G**) and height adjustment knobs (**F**) over table legs. See **Figure 1**. Align adjustment screws with the holes in the leg tubes.
- 3** Insert rear extension tubes (**C**) into back leg tubes. Set each tube at a height of approximately 4" and loosely hand-tighten knobs. See **Figure 1**.
- 4** Repeat step 3 for front extension tubes (**D**). See **Figure 1**.
- 5** Place tabletop (**B**) with preferred side down on carpeted or protected floor. Turn the assembled base frame upside down and place on tabletop as shown in **Figure 2**. Position the frame according to the dimensions on page 2, depending on the size of your tabletop. Center the frame from left to right. Place front guide tracks (**H**) under front extension tubes as shown in **Figure 2**.

- 6** Mark hole locations with a pencil or awl.
- 7** Use a 1/16" drill bit to start screw holes. Drill only 1/4" deep. Be careful not to drill all the way through the tabletop!

TIP Wrap masking tape 1/4" from drill bit end to determine drilling depth.

- 8** Attach rear extension brackets and front guide tracks to tabletop using 1/2" Phillips screws (**J**). Tighten securely, using care not to strip.

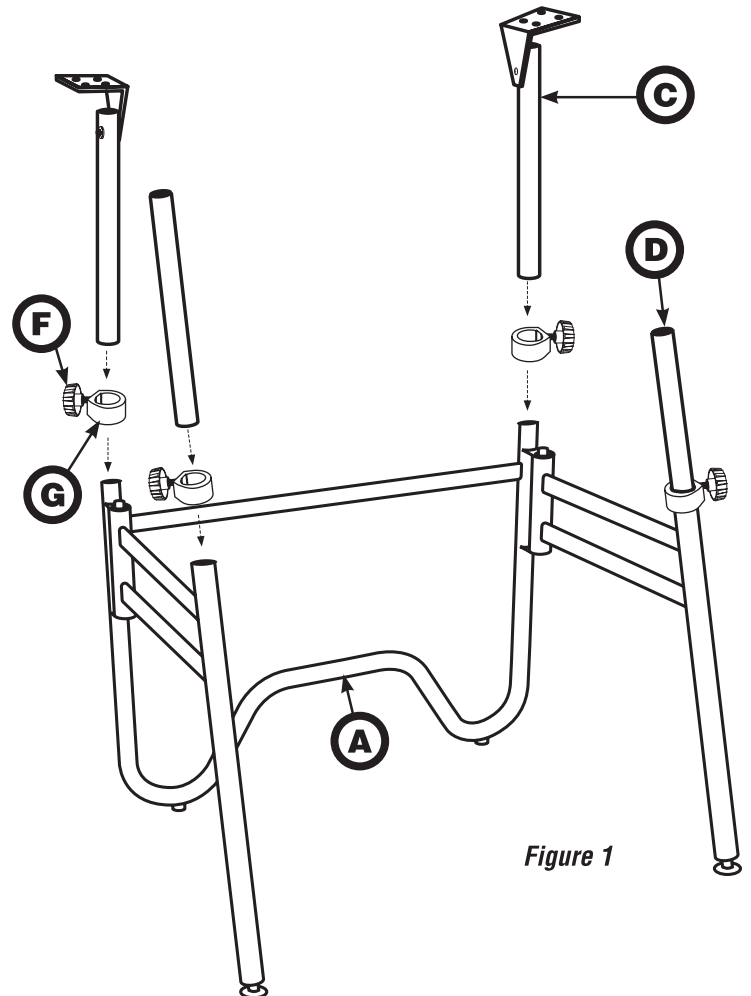
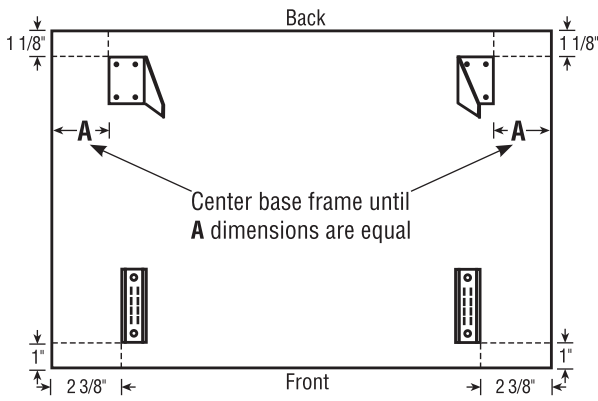
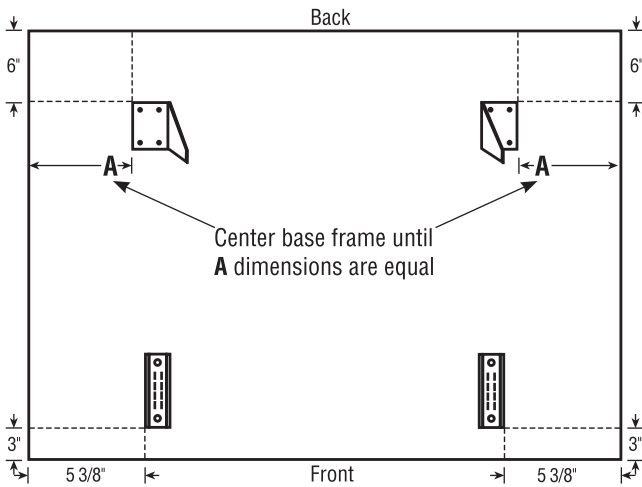


Figure 1

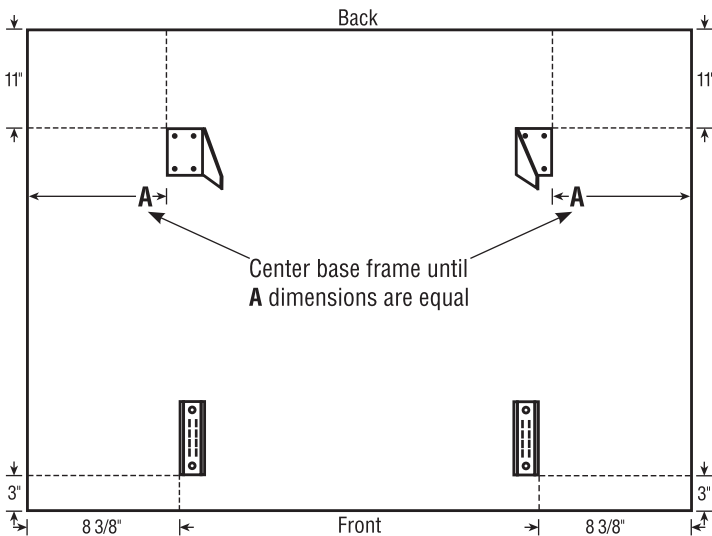
For 24" x 36" Tabletop



For 31" x 42" Tabletop



For 36" x 48" Tabletop



9

Carefully return table assembly to the upright position. Adjust tabletop to desired height using height adjustment knobs.

You're finished and your table is ready to use as shown in **Figure 3**.

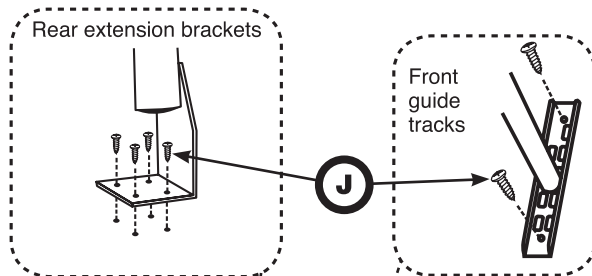


Figure 2 Inset A

Figure 2 Inset B

Figure 2

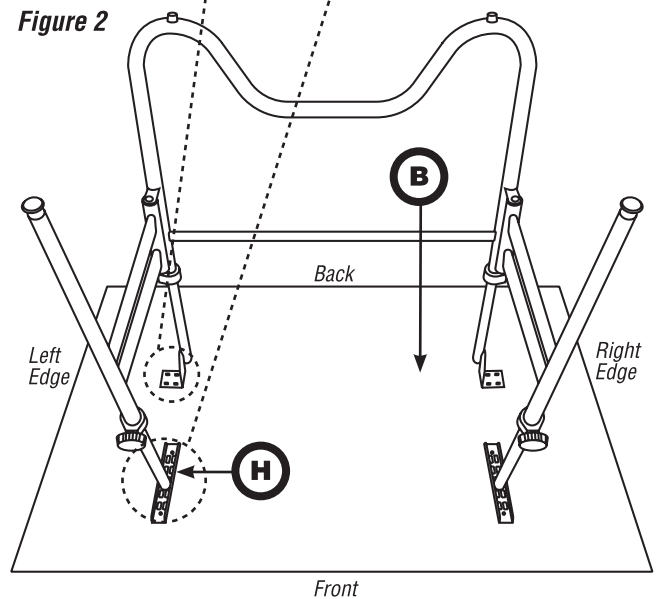


Figure 3



OPAL MODELS

24" x 36"	31" x 42"	36" x 48"
OP36-3	OP42-3	OP48-3
OP36-4	OP42-4	OP48-4

