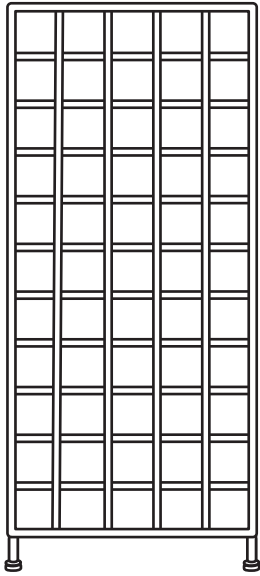




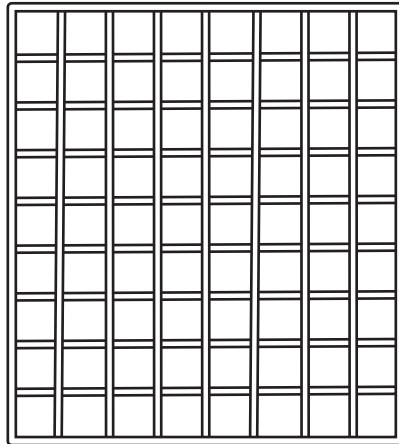
# Mobile Step-Design File Tube Rack Assembly Instructions

For model WSF36

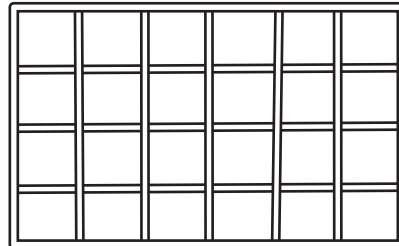
## Parts Included:



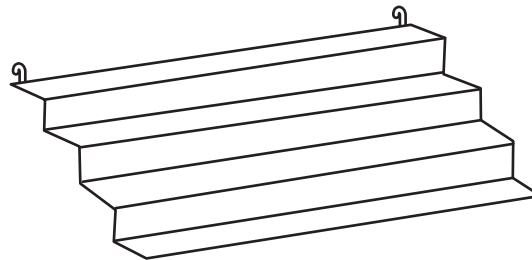
**A** 2pcs Large Side Grids



**B** 1pc Back Grid  
**D** 1pc Front Grid



**C** 2pcs Center Grids



**E** 1pc Bottom Step



**F** 4pcs Casters



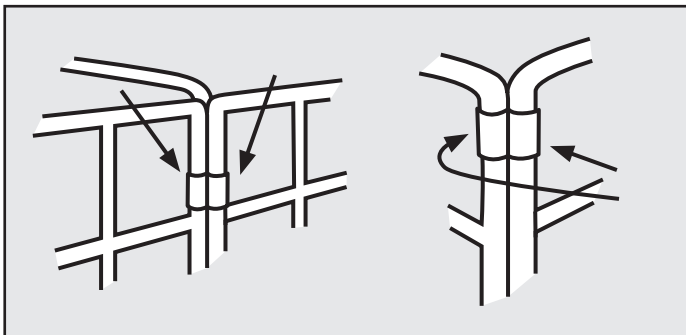
**G** 1pc Bag Small Plastic Clips



**H** 1pc Bag Large Plastic Clips

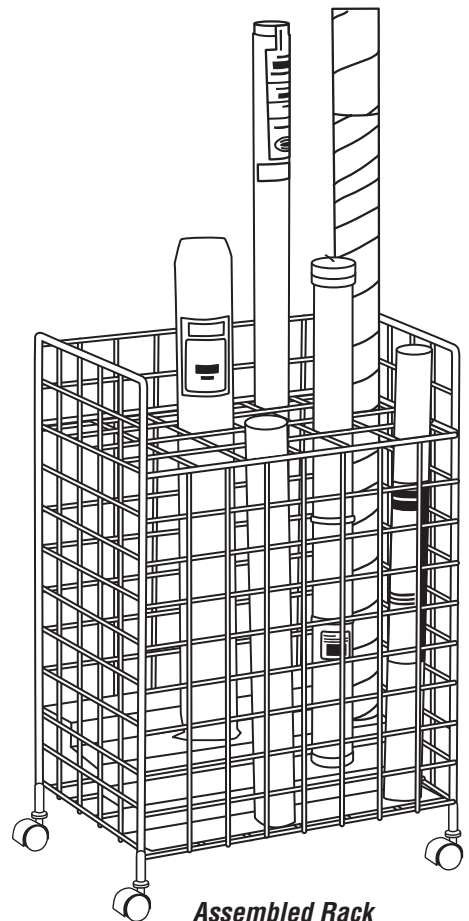
## Note:

Plastic clips can be snapped on and removed easily by hand. Most grid sections require only 2 clips per side for support. For safety, clips attached on exterior of cart should be positioned with flanges facing inward.



*Clip Attachment*

See reverse side for assembly

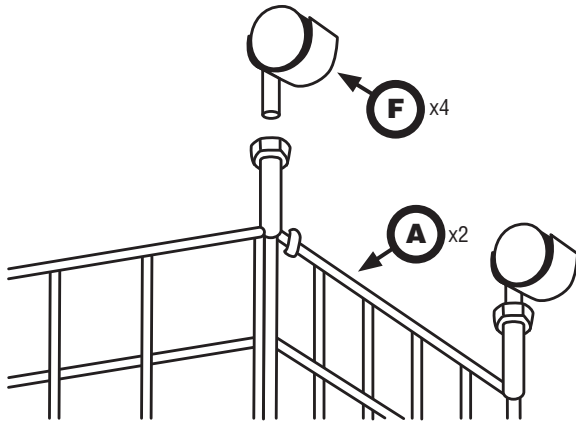


*Assembled Rack*

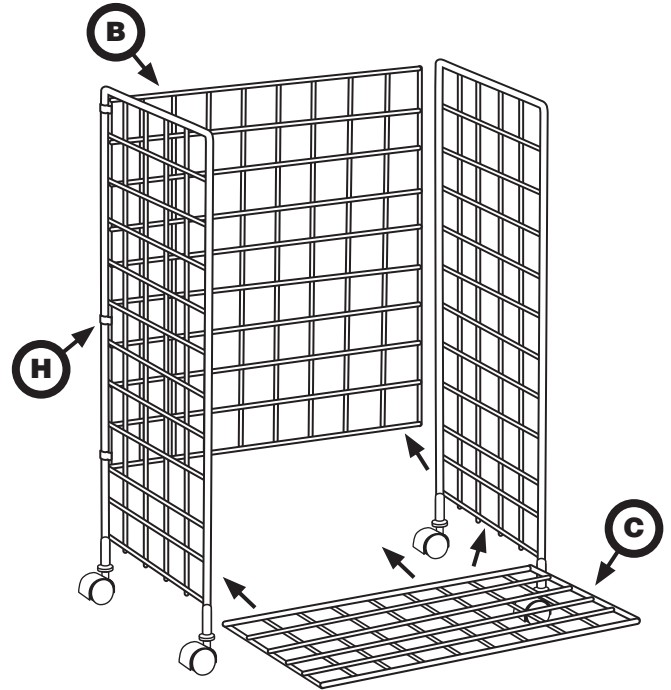
# WSF36 Assembly Instructions

## To Assemble:

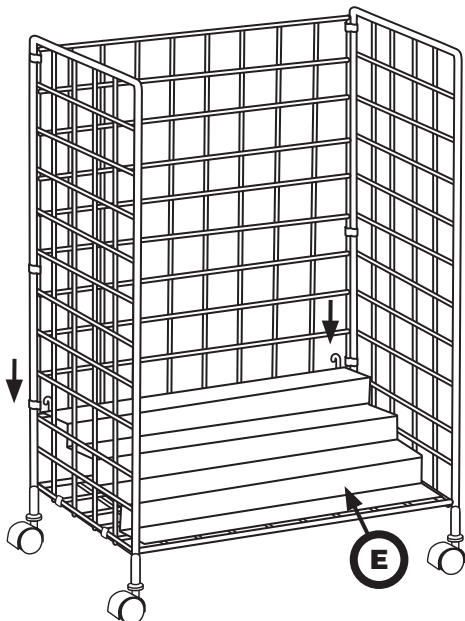
- 1** Attach casters (F) to each of the large side grids (A).



- 2** Using large plastic clips (H), attach one large side grid to the back grid (B). Attach the second large side grid to the other side of the back grid. Attach center grid (C) to bottom.



- 3** Drop in bottom step (E).



- 4** Attach front grid (D) to large side grids. Using small plastic clips (G), attach center grid to large side grids.

- 5** Attach extra clips where needed.

